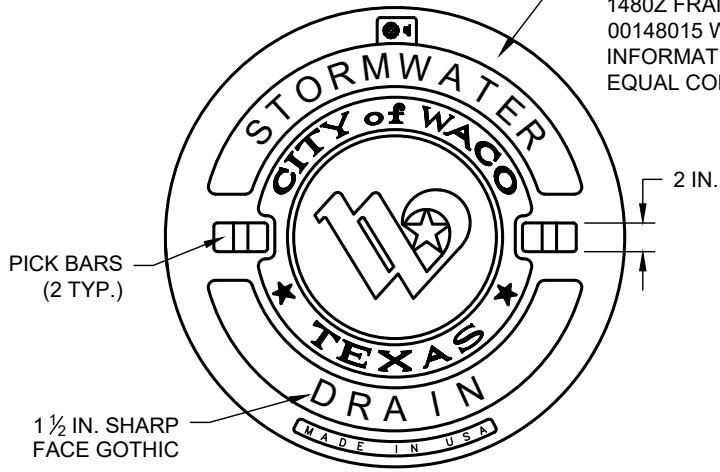
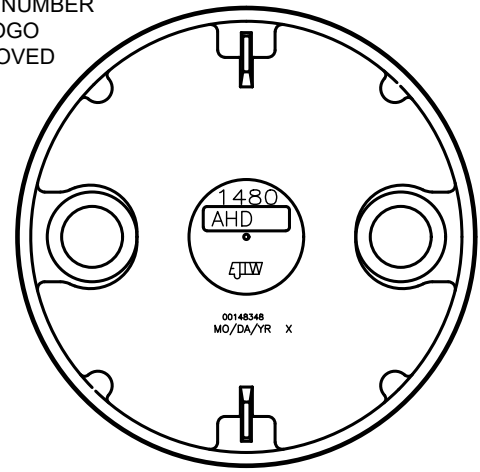


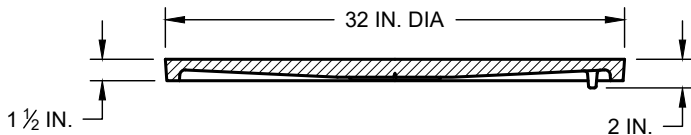
EJ 1480A COVER PRODUCT  
 NUMBER 00148337 [ejco.com](http://ejco.com) WITH  
 1480Z FRAME PRODUCT NUMBER  
 00148015 WITH WACO LOGO  
 INFORMATION OR APPROVED  
 EQUAL COMBINATION



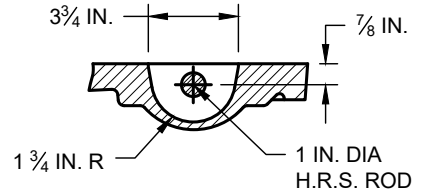
**COVER PLAN VIEW**



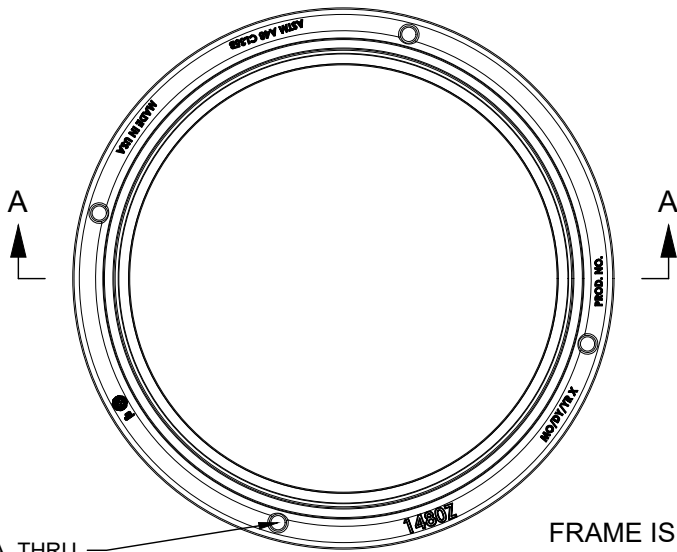
**COVER BACK**



**COVER SECTION**

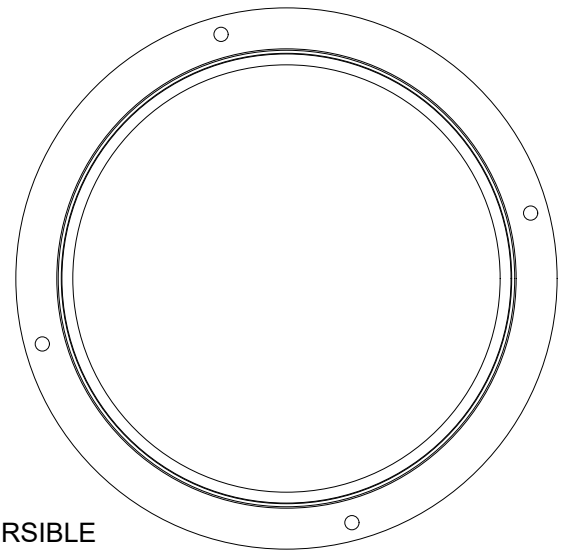


**PICKBAR DETAIL**



**FRAME TOP VIEW**

FRAME IS REVERSIBLE



**FRAME BOTTOM VIEW**

(4) 1 IN. DIA. THRU HOLES ON 35 1/2 IN. BORE CENTER



**FRAME SECTION A-A**

**STORMWATER DRAIN  
 MANHOLE COVER AND FRAME**  
 (NO SCALE)



**ENGINEERING DIVISION**

**DISCLAIMER:** THE USE OF THIS STANDARD IS GOVERNED BY THE "TEXAS ENGINEERING PRACTICE ACT". NO WARRANTY OF ANY KIND IS MADE BY THE CITY OF WACO FOR ANY PURPOSE WHATSOEVER. THE CITY OF WACO ASSUMES NO RESPONSIBILITY FOR THE CONVERSION OF THIS STANDARD TO OTHER FORMATS OR FOR INCORRECT RESULTS OR DAMAGES RESULTING FROM ITS USE.

REVISIONS			
NO.	COMMENTS	BY	DATE
1	MODIFY LOGO AND ADD NOTE TO FRAME TOP VIEW	MZ	04/19/2024
##	DESCRIPTION	FL	MM/DD/YYYY

DATE  
01/01/2024

SD-9