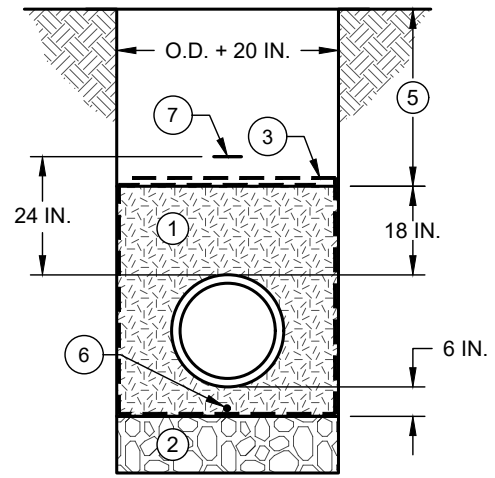
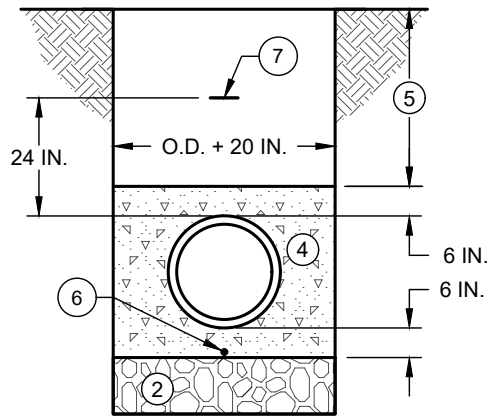


STANDARD EMBEDMENT
(NO SCALE)



STANDARD EMBEDMENT @ LOCATIONS WITH GROUNDWATER
(NO SCALE)



CONCRETE ENCASEMENT
(NO SCALE)

NOTE:
CONCRETE ENCASEMENT SHALL BE INSTALLED WHERE SHOWN ON THE PLANS OR AS INSTRUCTED BY DIRECTOR OF PUBLIC WORKS OR HER/HIS DESIGNEE.

NOTES:

- ① EMBEDMENT FOR ALL PUBLIC MAINS SHALL BE TYPE "A" MATERIAL PER STANDARD SPECIFICATIONS, SECTION 4.2 EXCAVATION AND BACKFILL, PART 2: PRODUCT, A. MATERIALS, 3. TRENCH BACKFILL, A. TYPE "A," COMPACTED TO 95% OF THE MAXIMUM DRY DENSITY (TEX-113-E) OR CONTROLLED LOW STRENGTH MATERIAL.
- ② FOUNDATION COURSE (AS REQUIRED) OF AGGREGATE MEETING ASTM 57 SPECIFICATIONS TO PROVIDE FIRM, STABLE, AND UNIFORM PIPE SUPPORT. ALTERNATIVE ROCK SIZES SHALL BE PRE-APPROVED BY DIRECTOR OF PUBLIC WORKS OR HER/HIS DESIGNEE.
- ③ GEOTEXTILE WOVEN: GTF-200 OR PRE-APPROVED EQUAL. THE GEOTEXTILE FILTER FABRIC SHALL BE OVERLAPPED IN ACCORDANCE WITH THE MANUFACTURER'S RECOMMENDATIONS.
- ④ 2000 PSI CONCRETE OR CONTROLLED LOW STRENGTH MATERIAL.
- ⑤ BACKFILL & SURFACE REPLACEMENT PER STANDARD DETAILS [G-9](#), [G-10](#), APPLICABLE [ST-30](#), [ST-33](#), [ST-34](#), [ST-35](#), [ST-36](#), AND [ST-37](#) AND STANDARD SPECIFICATIONS FOR CONSTRUCTION.
- ⑥ FOR WATER MAINS PLACE METALLIC TRACER WIRE #12 AWG SOLID WIRE WITH A BLUE COATING, SEE [W-1](#) NOTES 4 AND 5.
- ⑦ IDENTIFICATION NON-DETECTIBLE UNDERGROUND WARNING TAPE SHALL BE PLACED FOR ALL WATER MAINS, SANITARY SEWER MAINS, AND ALL CLOSED CONDUIT STORMWATER DRAINAGE SYSTEMS FOR ALL PIPE MATERIALS AND SIZES 4 IN. DIAMETER AND GREATER. FOR SPECIFICATIONS ON TAPE SEE CORRESPONDING [W-1](#) NOTE 14, [S-1](#) NOTE 19, AND [SD-1](#) NOTE 1.

STANDARD EMBEDMENT AND CONCRETE ENCASEMENT
(NO SCALE)



ENGINEERING DIVISION

DISCLAIMER: THE USE OF THIS STANDARD IS GOVERNED BY THE "TEXAS ENGINEERING PRACTICE ACT". NO WARRANTY OF ANY KIND IS MADE BY THE CITY OF WACO FOR ANY PURPOSE WHATSOEVER. THE CITY OF WACO ASSUMES NO RESPONSIBILITY FOR THE CONVERSION OF THIS STANDARD TO OTHER FORMATS OR FOR INCORRECT RESULTS OR DAMAGES RESULTING FROM ITS USE.

REVISIONS			
NO.	COMMENTS	BY	DATE
1	ADD NOTES 6 & 7	MZ	04/19/2024
##	DESCRIPTION	FL	MM/DD/YYYY

DATE
01/01/2024

G-8