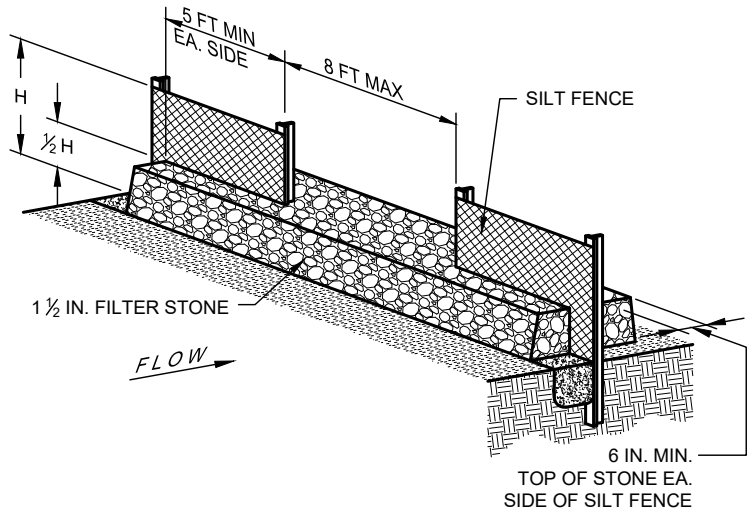


ISOMETRIC PLAN VIEW



SILT FENCE OVERFLOW STRUCTURE

NOTES:

1. DESIGN SHALL SHOW ON THE DRAWING THE LOCATIONS WHERE OVERFLOW STRUCTURES SHALL BE INSTALLED. OVERFLOW STRUCTURES ARE REQUIRED AT ALL LOW POINTS AND AT A SPACING OF APPROXIMATELY 300 FEET WHERE NO LOW POINT IS APPARENT.
2. FILTER STONE FOR AN OVERFLOW STRUCTURE SHALL BE 1-1/2 IN. WASHED STONE CONTAINING NO FINE MATERIAL. ANGULAR SHAPED STONE IS PREFERABLE TO ROUNDED SHAPED STONE
3. DESIGNER SHALL SHOW ON THE DRAWING THE LOCATIONS WHERE SILT FENCE IS TO BE TURNED UPSLOPE AT THE ENDS. UPSLOPE LENGTHS SHALL BE A MINIMUM OF 10 FEET.
4. POST WHICH SUPPORT THE SILT FENCE SHALL BE INSTALLED ON A SLIGHT ANGLE TOWARD THE ANTICIPATED RUNOFF SOURCE. POST MUST BE EMBEDDED A MINIMUM OF ONE FOOT.
5. FENCE POST SHALL BE GALVANIZED STEEL OR EQUIVALENT AND MAY BE T-SECTION OR L-SECTION, 1.3 POUNDS PER LINEAR FOOT MINIMUM, AND 4 FEET IN LENGTH MINIMUM. WOOD POST MAY BE USED DEPENDING ON ANTICIPATED LENGTH OF SERVICE AND PROVIDED THEY ARE 4 FEET IN LENGTH MINIMUM AND HAVE A NOMINAL CROSS SECTION OF 2 INCHES BY 4 INCHES FOR PINE OR 2 INCHES BY 2 INCHES FOR HARDWOODS.
6. THE TOE OF THE SILT FENCE SHALL BE TRENCHED IN WITH A SPADE OR MECHANICAL TRENCHER, SO THAT THE DOWNSLOPE FACE OF THE TRENCH IS FLAT AND PERPENDICULAR TO THE LINE OF FLOW.
7. THE TRENCH MUST BE A MINIMUM OF 6 INCHES DEEP AND 6 INCHES WIDE TO ALLOW FOR THE SILT FENCE FABRIC TO BE LAID IN THE GROUND AND BACKFILLED WITH COMPACTED MATERIAL.
8. SILT FENCE SHOULD BE SECURELY FASTENED TO EACH SUPPORT POST OR TO THE WIRE BACKING, WHICH IN TURN IS ATTACHED TO THE FENCE POST. THERE SHALL BE A 3 FOOT OVERLAP, SECURELY FASTENED WHERE ENDS OF FABRIC MEET.
9. SILT FENCE SHALL BE SUPPORTED BY GALVANIZED STEEL WIRE FENCE FABRIC AS FOLLOWS:
 - A. 4 IN. X 4 IN. MESH SIZE, W1.4/1.4 MINIMUM 14-GAUGE WIRE FENCE;
 - B. HOG WIRE, 12-GAUGE WIRE, SMALL OPENINGS INSTALLED AT BOTTOM OF SILT FENCE;
 - C. STANDARD 2 IN. X 2 IN. CHAIN LINK FENCE FABRIC; OR
 - D. OTHER WELDED OR WOVEN STEEL FABRICS CONSISTING OF EQUAL OR SMALLER SPACING AS THAT LISTED HEREIN AND APPROPRIATE GAUGE WIRE TO PROVIDE SUPPORT.
10. INSPECTION SHALL BE AS SPECIFIED IN THE SWPPP. REPAIR OR REPLACEMENT SHALL BE MADE PROMPTLY AS NEEDED.
11. SILT FENCE SHALL BE REMOVED WHEN FINAL STABILIZATION IS ACHIEVED OR ANOTHER EROSION OR SEDIMENT CONTROL DEVICE IS EMPLOYED.
12. ACCUMULATED SILT SHALL BE REMOVED WHEN IT REACHES A DEPTH OF HALF THE HEIGHT OF THE FENCE. THE SILT SHALL BE DISPOSED OF AT AN APPROVED SITE AND IN SUCH A MANNER AS TO NOT CONTRIBUTE TO ADDITIONAL SILTATION.
13. PLEASE REFER TO CITY OF WACO STANDARD SPECIFICATIONS FOR CONSTRUCTION, SECTION 1.10, PART 2, A 3 AND SECTION 1.10, PART 3, B 2 FOR SILT FENCE MATERIAL AND INSTALLATION SPECIFICATIONS.

SILT FENCE & STONE OVERFLOW STRUCTURE
(NO SCALE)

DISCLAIMER: THE USE OF THIS STANDARD IS GOVERNED BY THE "TEXAS ENGINEERING PRACTICE ACT". NO WARRANTY OF ANY KIND IS MADE BY THE CITY OF WACO FOR ANY PURPOSE WHATSOEVER. THE CITY OF WACO ASSUMES NO RESPONSIBILITY FOR THE CONVERSION OF THIS STANDARD TO OTHER FORMATS OR FOR INCORRECT RESULTS OR DAMAGES RESULTING FROM ITS USE.



**ENGINEERING
DIVISION**



REVISIONS			
NO.	COMMENTS	BY	DATE
##	DESCRIPTION	FL	MM/DD/YYYY

DATE
05/02/2022

WP-2