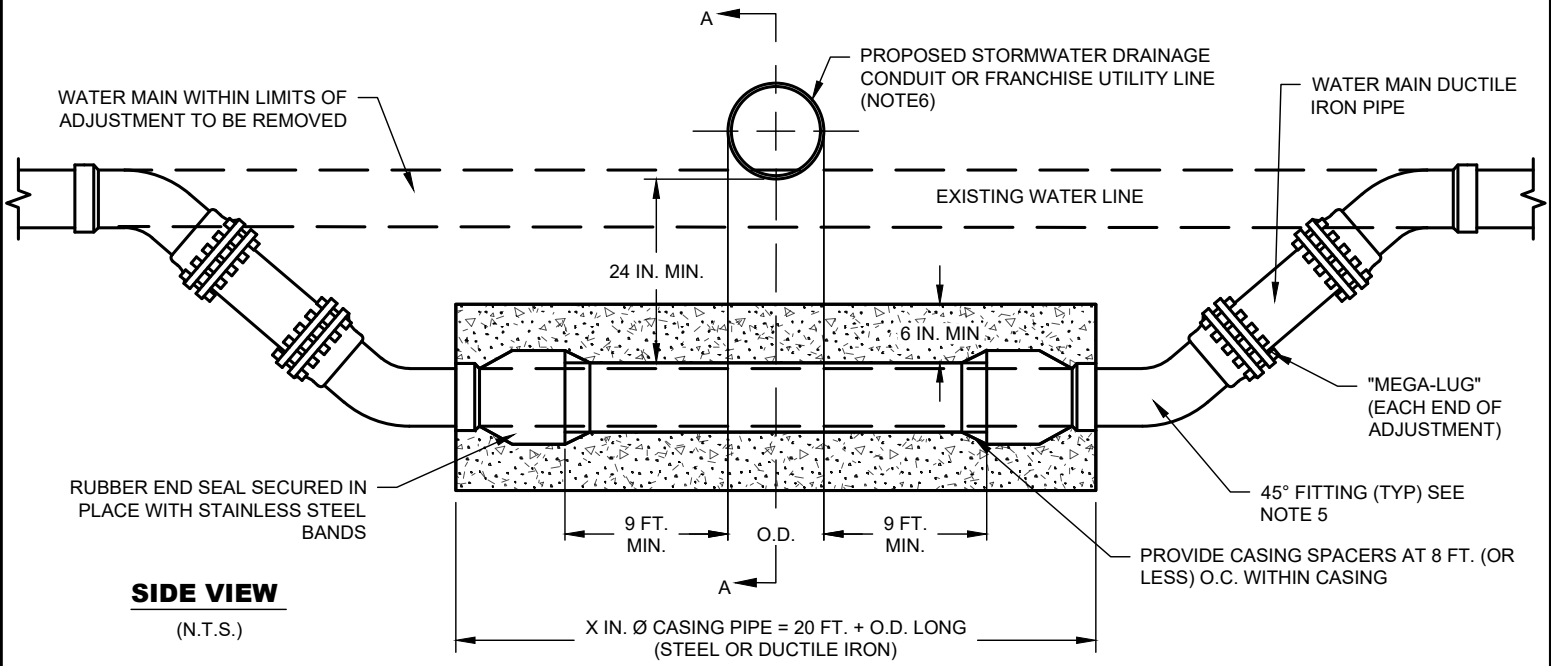


**SECTION A-A**  
(N.T.S.)



**SIDE VIEW**  
(N.T.S.)

- NOTES:**
1. NEW WATER MAINS SHALL BE LAID TO PROVIDE A MIN. VERTICAL DISTANCE OF 24 IN. BETWEEN THE BOTTOM OF THE UPPER PIPE AND THE CROWN OF THE LOWER PIPE.
  2. ARRANGE CROSSING SO THAT THE STORMWATER DRAINAGE CONDUIT OR FRANCHISE UTILITY PIPE JOINTS AND THE WATER MAIN PIPE JOINTS ARE EQUIDISTANT FROM THE POINT OF CROSSING (PIPES CENTERED ON THE CROSSING).
  3. WHERE PROPOSED STORMWATER DRAINAGE CONDUIT OR FRANCHISE UTILITY LINE MEETS WATER MAIN REQUIREMENTS, CASING PIPE SHALL BE OMITTED.
  4. NO WATER SERVICE WILL BE PERMITTED IN THE CONFINES OF THE WATER LINE AS DETAILED ABOVE.
  5. DUCTILE IRON MECHANICAL JOINT 45° FITTINGS WITH "MEGA-LUG" RETAINER GLANDS OR PRE-APPROVED EQUAL. REQUIRES BLOCKING. SEE DETAILS W-3A TO W-3E.
  6. CENTER 18 FT. MIN. SECTION OF STORMWATER DRAINAGE CONDUIT OR FRANCHISE UTILITY PIPE OVER WATER PIPE.
  7. CONTROLLED LOW STRENGTH MATERIAL.
  8. EVERY EFFORT SHALL BE MADE TO PLACE THE STORMWATER DRAINAGE CONDUIT OR FRANCHISE UTILITY LINE BELOW THE WATER LINE. WHEN NO OTHER OPTIONS ARE AVAILABLE AND ONLY WITH PRIOR APPROVAL BY DIRECTOR OF PUBLIC WORKS OR HER/HIS DESIGNEE WILL THIS DETAIL BE UTILIZED.

**EMBEDMENT FOR NEW STORMWATER DRAINAGE CONDUIT OR FRANCHISE UTILITY LINE CROSSING OVER NEW OR EXISTING WATER LINE**

(NO SCALE)

DISCLAIMER: THE USE OF THIS STANDARD IS GOVERNED BY THE "TEXAS ENGINEERING PRACTICE ACT". NO WARRANTY OF ANY KIND IS MADE BY THE CITY OF WACO FOR ANY PURPOSE WHATSOEVER. THE CITY OF WACO ASSUMES NO RESPONSIBILITY FOR THE CONVERSION OF THIS STANDARD TO OTHER FORMATS OR FOR INCORRECT RESULTS OR DAMAGES RESULTING FROM ITS USE.



**ENGINEERING  
DIVISION**



REVISIONS			
NO.	COMMENTS	BY	DATE
##	DESCRIPTION	FL	MO/DY/YEAR

DATE  
07/01/2022

**W-37**