

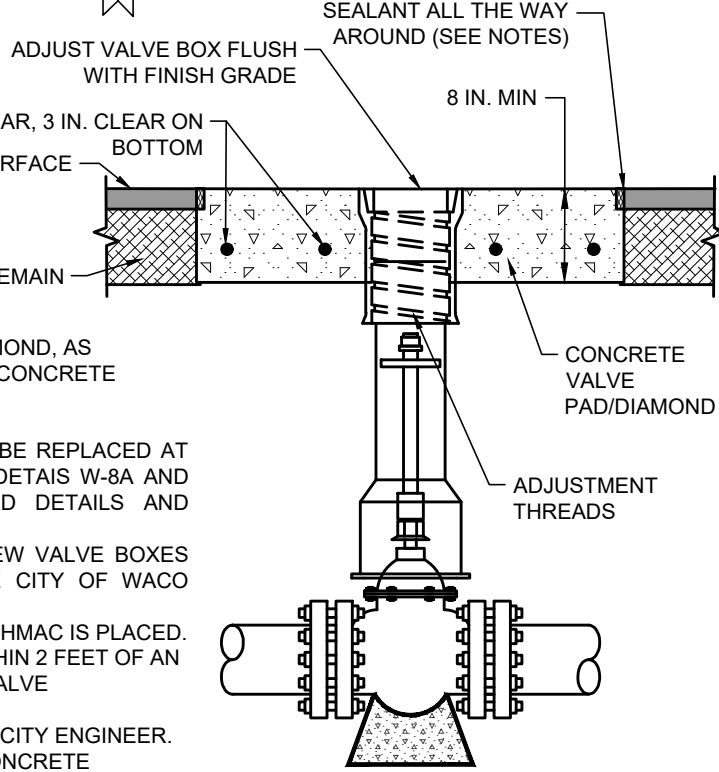
PLAN VIEW

FILL SAW CUTS WITH SEALANT (TYPICAL) (NOTE 5)

SEALANT ALL THE WAY AROUND (NOTE 5)

SAW CUT 6 IN. DEPTH (NOTE 3)

2 IN. MINIMUM CLEAR (TYPICAL)



ELEVATION

- NOTES:**
- THIS DETAIL SHALL BE USED WHEN THE CONCRETE VALVE PAD/DIAMOND, AS DETAILED ABOVE, IS 24 INCHES OR GREATER FROM THE LIP OF THE CONCRETE GUTTER.
 - RE-USE EXISTING VALVE BOXES, EXCEPT AS FOLLOWS:
 - EXISTING VALVE BOXES DAMAGED BY CONSTRUCTION SHALL BE REPLACED AT THE CONTRACTOR'S EXPENSE WITH VALVE BOXES MEETING DETAILS W-8A AND W-8B AND OTHER APPLICABLE CITY OF WACO STANDARD DETAILS AND SPECIFICATIONS.
 - ANY OLD-STYLE VALVE BOXES SHALL BE REPLACED WITH NEW VALVE BOXES MEETING DETAILS W-8A AND W-8B AND OTHER APPLICABLE CITY OF WACO STANDARD DETAILS AND SPECIFICATIONS.
 - NEW CONCRETE VALVE PAD/DIAMOND SHALL BE CUT IN AFTER NEW HMAC IS PLACED.
 - IF POINT ON PERIMETER OF CONCRETE VALVE PAD/DIAMOND IS WITHIN 2 FEET OF AN ADJACENT CONCRETE VALVE PAD/DIAMOND COMBINE CONCRETE VALVE PADS/CONCRETE DIAMONDS.
 - SEALANT AND INSTALLATION METHOD SHALL BE PRE-APPROVED BY CITY ENGINEER.
 - VALVE LID SHALL BE FLUSH WITH CONCRETE PAD/DIAMOND, AND CONCRETE PAD/DIAMOND SHALL BE FLUSH WITH ADJACENT ASPHALT. MAX TOLERANCE ON BOTH IS +/- 1/8 INCH IN ADDITION, WHEN A STRAIGHT EDGE IS PLACED ACROSS THE FINISHED DIAMOND, THERE SHALL BE NO VERTICAL CHANGE OF +/- 1/8 INCH IN ASPHALT WITHIN 1 FT OF ALL SIDES OF THE PAD/DIAMOND.

VALVE BOX HEIGHT ADJUSTMENT A
(FOR ASPHALT STREET REHABILITATION PROJECTS ONLY)

DISCLAIMER: THE USE OF THIS STANDARD IS GOVERNED BY THE "TEXAS ENGINEERING PRACTICE ACT". NO WARRANTY OF ANY KIND IS MADE BY THE CITY OF WACO FOR ANY PURPOSE WHATSOEVER. THE CITY OF WACO ASSUMES NO RESPONSIBILITY FOR THE CONVERSION OF THIS STANDARD TO OTHER FORMATS OR FOR INCORRECT RESULTS OR DAMAGES RESULTING FROM ITS USE.

(NO SCALE)



ENGINEERING DIVISION



REVISIONS			
NO.	COMMENTS	BY	DATE
##	DESCRIPTION	FL	MO/DY/YEAR

DATE
8/25/2021

W-35