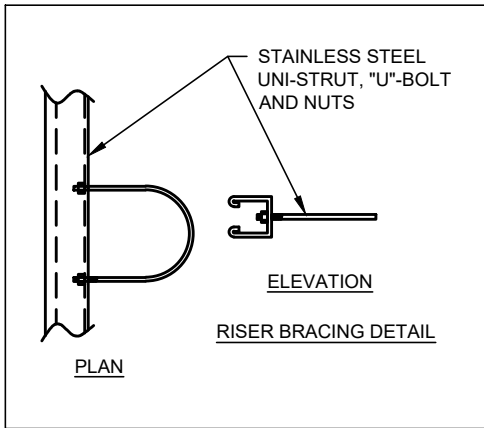


TABLE 1:
VALVE AND VAULT SIZE

DRAIN VALVE SIZE	VAULT SIZE
6 IN.	60 IN.
8 IN.	72 IN.
12 IN.	84 IN.

NOTES:

1. THE VALVE EXTENSION SHALL BE ONE PIECE AND POSITIONED INSIDE THE MANHOLE SUCH THAT THE VALVE CAN BE OPERATED FROM GROUND LEVEL THROUGH THE MANHOLE TOP. THE VALVE EXTENSION SHALL EXTEND TO WITHIN 4 IN. OF THE MANHOLE. ACCESS TO VALVE EXTENSION SHALL NOT BE THROUGH MANHOLE COVER.
2. DRAIN VALVES SHALL UTILIZE DUCTILE IRON CLASS 53 PIPE FOR DRAIN VALVE PIPING.
3. CENTER VALVE STACK OPENING OVER GATE VALVE OPERATING STEM. CONTRACTOR SHALL COORDINATE VALVE STACK OPENING LOCATION WITH GATE VALVE MANUFACTURER AND MANHOLE COVER MANUFACTURER PRIOR TO MANHOLE COVER FABRICATION. CONTRACTOR SHALL SUBMIT SHOP DRAWING OF DRAIN VALVE MANHOLE AND MANHOLE COVER TO CITY OF WACO ENGINEER FOR APPROVAL PRIOR TO CONSTRUCTION.
4. ISOLATION KITS SHALL BE PROVIDED AT LOCATION WHERE A CHANGE OF PIPE MATERIAL OCCURS.
5. ALL EXPOSED DUCTILE IRON PIPE AND FITTINGS WITHIN MANHOLES SHALL HAVE FACTORY APPLIED ASPHALTIC COATING, UNLESS OTHERWISE SPECIFIED
6. ORIENTATION AND ELEVATION OF CONCRETE SPLASH PAD SHALL BE AS SHOWN ON DRAWINGS.
7. ENSURE ALL DRAIN VALVE APPURTENANCES REMAIN WITHIN PROPOSED PERMANENT EASEMENT.
8. PIPE PENETRATION THROUGH VAULT WALL SHALL BE SEALED WITH A NON-SHRINK EPOXY GROUT.
9. REFERENCE G-8 FOR CONCRETE EMBEDMENT ENCASEMENT REQUIREMENTS.



DETAIL A

LARGE DIAMETER (24 IN. TO 48 IN.) BLOW OFF VALVE ASSEMBLY
(NO SCALE)

DISCLAIMER: THE USE OF THIS STANDARD IS GOVERNED BY THE "TEXAS ENGINEERING PRACTICE ACT". NO WARRANTY OF ANY KIND IS MADE BY THE CITY OF WACO FOR ANY PURPOSE WHATSOEVER. THE CITY OF WACO ASSUMES NO RESPONSIBILITY FOR THE CONVERSION OF THIS STANDARD TO OTHER FORMATS OR FOR INCORRECT RESULTS OR DAMAGES RESULTING FROM ITS USE.



**ENGINEERING
DIVISION**



REVISIONS			
NO.	COMMENTS	BY	DATE
##	DESCRIPTION	FL	MO/DY/YEAR

DATE
8/25/2021

W-29