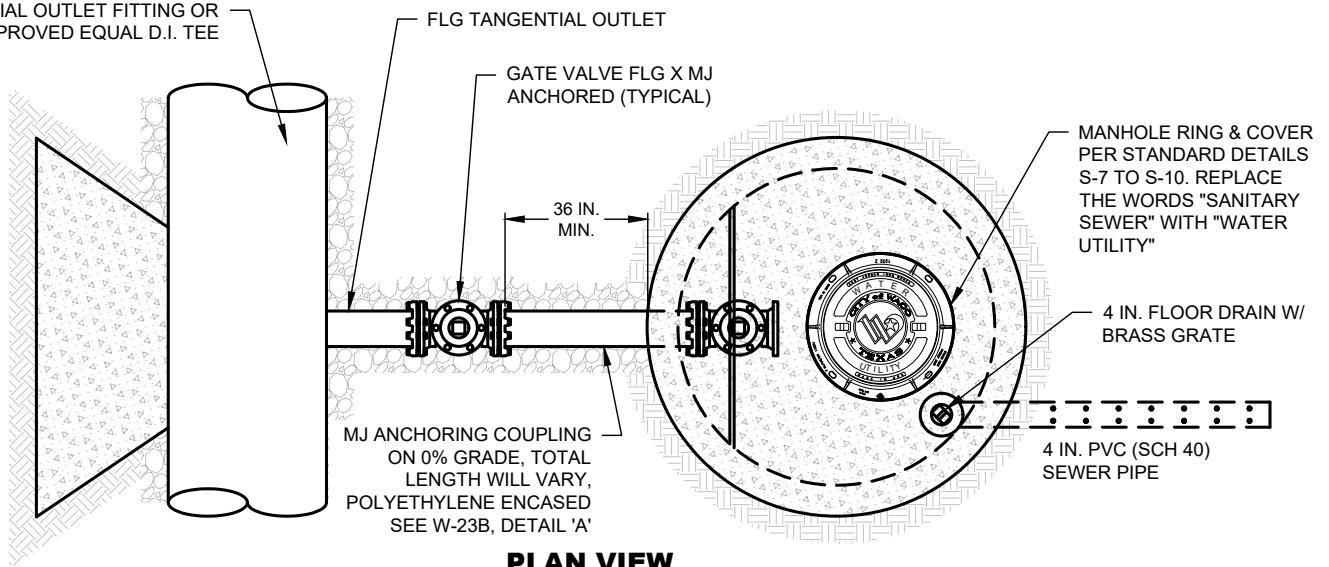
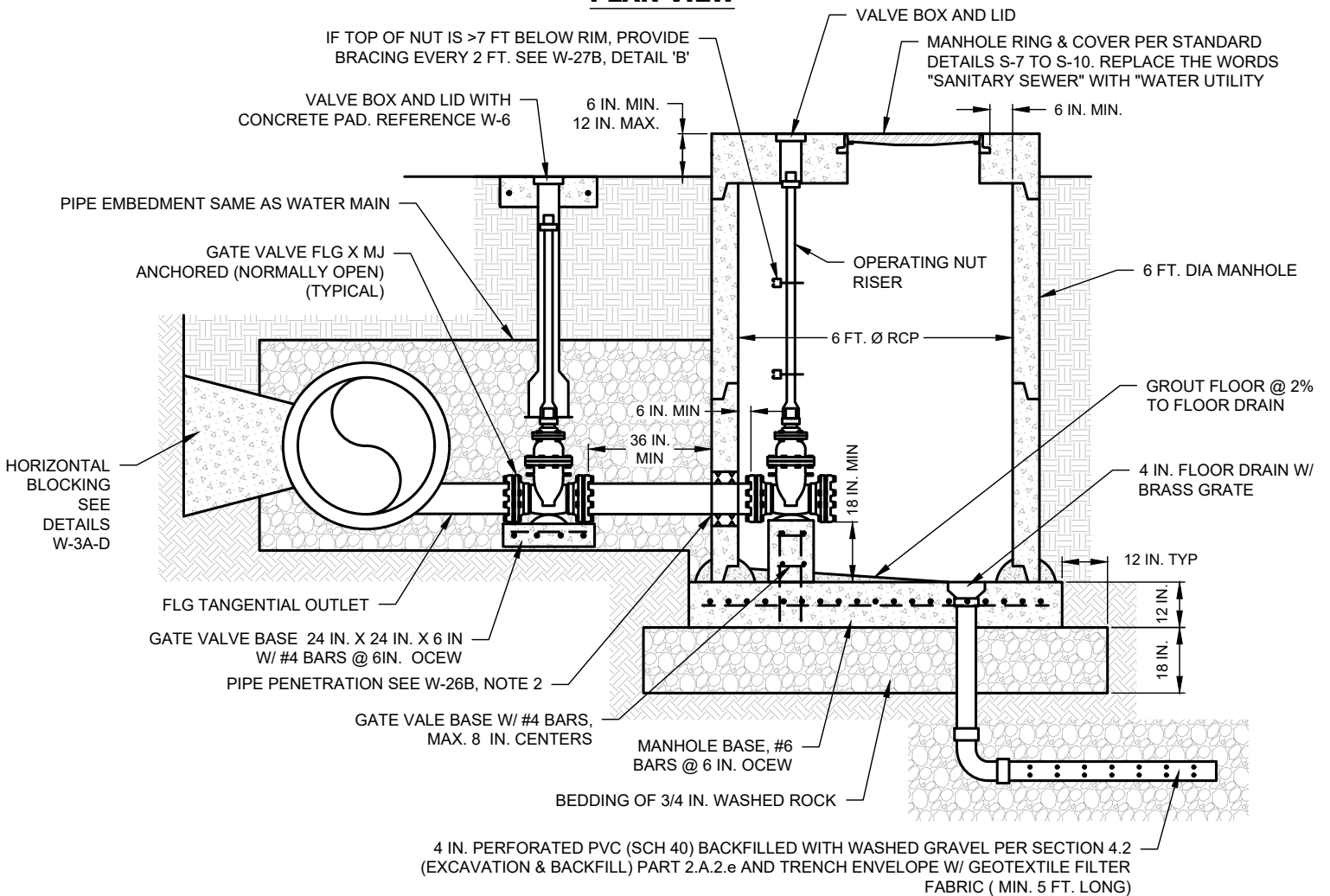


USE TANGENTIAL OUTLET FITTING OR PRE-APPROVED EQUAL D.I. TEE



PLAN VIEW

IF TOP OF NUT IS >7 FT BELOW RIM, PROVIDE BRACING EVERY 2 FT. SEE W-27B, DETAIL 'B'



SECTION VIEW

BELOW GROUND BLOW OFF ASSEMBLY

(NO SCALE)

SEE W-27B FOR ADDITIONAL DETAILS

DISCLAIMER: THE USE OF THIS STANDARD IS GOVERNED BY THE "TEXAS ENGINEERING PRACTICE ACT". NO WARRANTY OF ANY KIND IS MADE BY THE CITY OF WACO FOR ANY PURPOSE WHATSOEVER. THE CITY OF WACO ASSUMES NO RESPONSIBILITY FOR THE CONVERSION OF THIS STANDARD TO OTHER FORMATS OR FOR INCORRECT RESULTS OR DAMAGES RESULTING FROM ITS USE.



**ENGINEERING
DIVISION**



REVISIONS			
NO.	COMMENTS	BY	DATE
1	UPDATE REF TO STD DETAIL	MZ	01/25/2023
##	DESCRIPTION	FL	MM/DD/YYYY

DATE
02/08/2022

W-27A