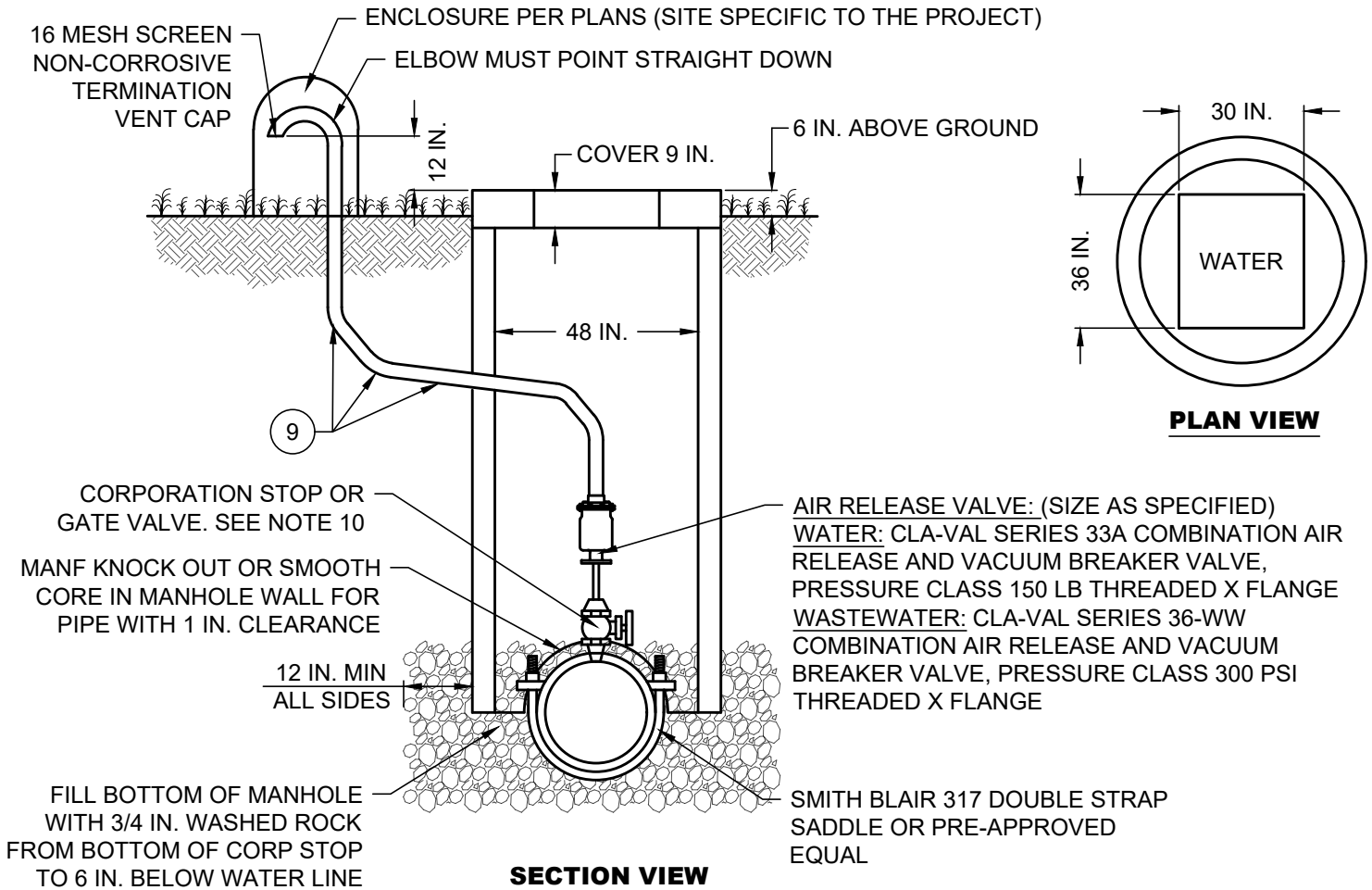


NOTES:

1. FRAME AND COVER SHALL BE 30 IN. X 36 IN. 1/4 IN. HINGED CHECKER PLATE.
2. WATER: NO SWEATED JOINTS, GALVANIZED OR PVC PIPE WILL BE ACCEPTED. USE BRASS FITTINGS WITH COPPER TUBING, THREADED OR COMPRESSION COUPLINGS.
3. WASTEWATER: NO SWEATED JOINTS, GALVANIZED, BRASS, OR COPPER PIPE OR TUBING SHALL BE USED FOR ARV VENT. PRESSURE RATED PVC ONLY.
4. PIPE VENT OPENING SHALL BE 12 IN. ABOVE TOP OF CONCRETE VAULT.
5. CONCRETE VAULT SHALL BE CONCRETE PRODUCTS, INC. MODEL "M.V.-8-H.L." OR PRE-APPROVED EQUAL.
6. AIR RELEASE VALVES SHALL BE PLACED IN AREAS NOT SUBJECT TO SUBMERGENCE AND OUTSIDE OF PAVEMENT AREAS.
7. THE PLACEMENT OF VAULT SHALL BE ON CITY RIGHT-OF-WAY OR WITHIN APPROPRIATE EASEMENTS AND SHALL BE LOCATED IN SUCH A WAY AS TO CAUSE THE LEAST AMOUNT OF SITE DISTURBANCE TO RESIDENTS AND TO NOT CREATE A SIGHT OBSTRUCTION FOR TRAFFIC.
8. AIR VENT DISCHARGE SHALL BE LOCATED AND PROTECTED TO ACCOMMODATE SITE CONDITIONS. BOLLARDS OR ENCLOSURE DESIGN SHALL BE SUBMITTED TO CITY OF WACO FOR APPROVAL. VAULT SHALL BE LOCATED AS CLOSE AS POSSIBLE TO PROPERTY LINES.
9. MINIMIZE ANGLES IN VENT PIPE/TUBING, HORIZONTAL LENGTHS TO BE SLOPED DOWN (NOMINAL 2%) TOWARDS ARV.
10. 12 IN. AND BELOW WATER LINES REQUIRE A 2 IN. BALLCORP CORPORATION STOP WITH 2 IN. BALL FIPT (FORD) #FB1000-7-G OR PRE-APPROVED EQUAL; 16 IN. AND ABOVE WATERLINES REQUIRE A RESILIENT SEAT GATE VALVE SIZED TO MATCH ARV SIZE.



AIR RELEASE VALVE AND MANHOLE VAULT (OFF STREET)

(NO SCALE)

DISCLAIMER: THE USE OF THIS STANDARD IS GOVERNED BY THE "TEXAS ENGINEERING PRACTICE ACT". NO WARRANTY OF ANY KIND IS MADE BY THE CITY OF WACO FOR ANY PURPOSE WHATSOEVER. THE CITY OF WACO ASSUMES NO RESPONSIBILITY FOR THE CONVERSION OF THIS STANDARD TO OTHER FORMATS OR FOR INCORRECT RESULTS OR DAMAGES RESULTING FROM ITS USE.



**ENGINEERING
DIVISION**



REVISIONS			
NO.	COMMENTS	BY	DATE
##	DESCRIPTION	FL	MO/DY/YEAR

DATE
8/25/2021

W-22