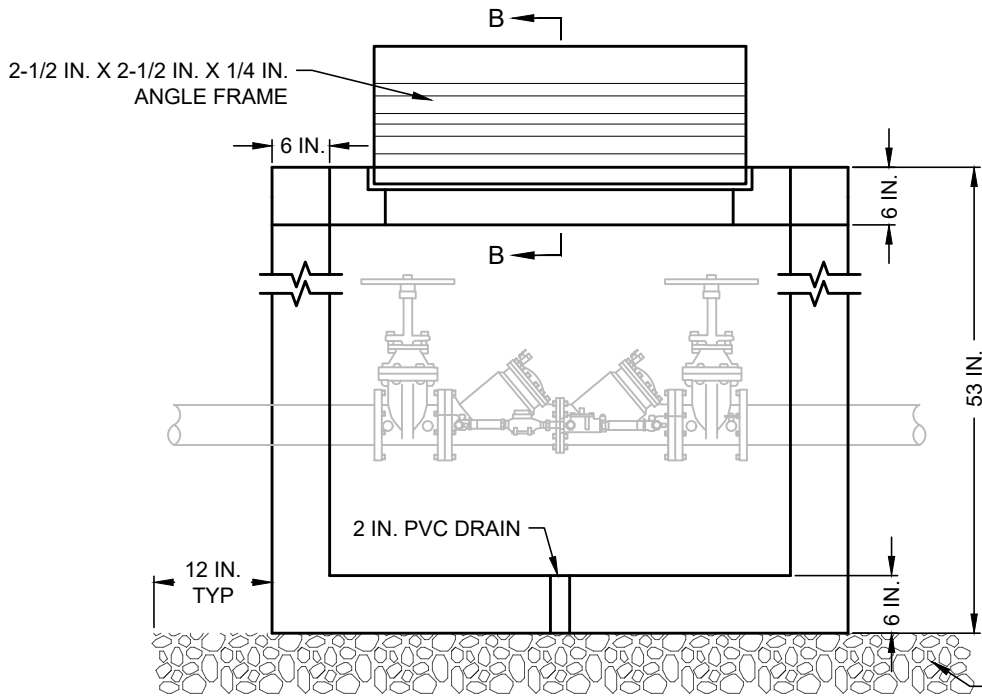
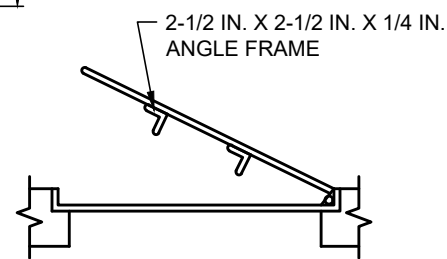


**PLAN VIEW**



**SECTION A**



**SECTION B**

**NOTES:**

1. DOUBLE DETECTOR CHECK ASSEMBLY TO BE HOUSED IN A PRECAST METER VAULT AND SHALL BE RATED HS20.
2. ASSEMBLIES 2 IN. AND SMALLER SHALL HAVE AT LEAST A 6 IN. CLEARANCE BELOW AND ON BOTH SIDES OF THE ASSEMBLY. ALL ASSEMBLIES LARGER THAN 2 IN. SHALL HAVE A MINIMUM CLEARANCE OF 12 IN. ON THE BACK SIDE, 24 IN. ON THE TEST PORT SIDE, AND 12 IN. BELOW THE ASSEMBLY.
3. ALL TEST PORTS SHALL FACE UPWARD AND SHALL HAVE PROTECTIVE CAPS.
4. UPON INSTALLATION, ASSEMBLY MUST BE TESTED BY CERTIFIED TESTER AND RESULTS FURNISHED TO THE CITY OF WACO, UTILITY DEPARTMENT. TEST RESULTS SHALL BE FURNISHED BY OWNER ON ANNUAL BASIS.
5. ALL NEW FIRE LINE SERVICES, AND THOSE ENCOUNTERED IN A CONSTRUCTION PROJECT SHALL HAVE INSTALLED A BACKFLOW DEVICE BASED ON THE DEGREE OF HAZARD. THE AUXILIARY LINE SHALL CONSIST OF AN APPROVED BACKFLOW PREVENTER AND WATER METER WITH ITRON CONNECTOR.
6. DOUBLE CHECK VAULTS SHALL BE LOCATED ON PRIVATE PROPERTY IN GREEN SPACE AS CLOSE AS PRACTICAL TO THE PUBLIC MAIN. DO NOT LOCATE WITHIN PUBLIC UTILITY EASEMENT.

**DOUBLE CHECK VALVE VAULT**

(NO SCALE)



**ENGINEERING  
DIVISION**



REVISIONS			
NO.	COMMENTS	BY	DATE
##	DESCRIPTION	FL	MO/DY/YEAR

DATE  
8/25/2021

**W-21**

DISCLAIMER: THE USE OF THIS STANDARD IS GOVERNED BY THE "TEXAS ENGINEERING PRACTICE ACT". NO WARRANTY OF ANY KIND IS MADE BY THE CITY OF WACO FOR ANY PURPOSE WHATSOEVER. THE CITY OF WACO ASSUMES NO RESPONSIBILITY FOR THE CONVERSION OF THIS STANDARD TO OTHER FORMATS OR FOR INCORRECT RESULTS OR DAMAGES RESULTING FROM ITS USE.