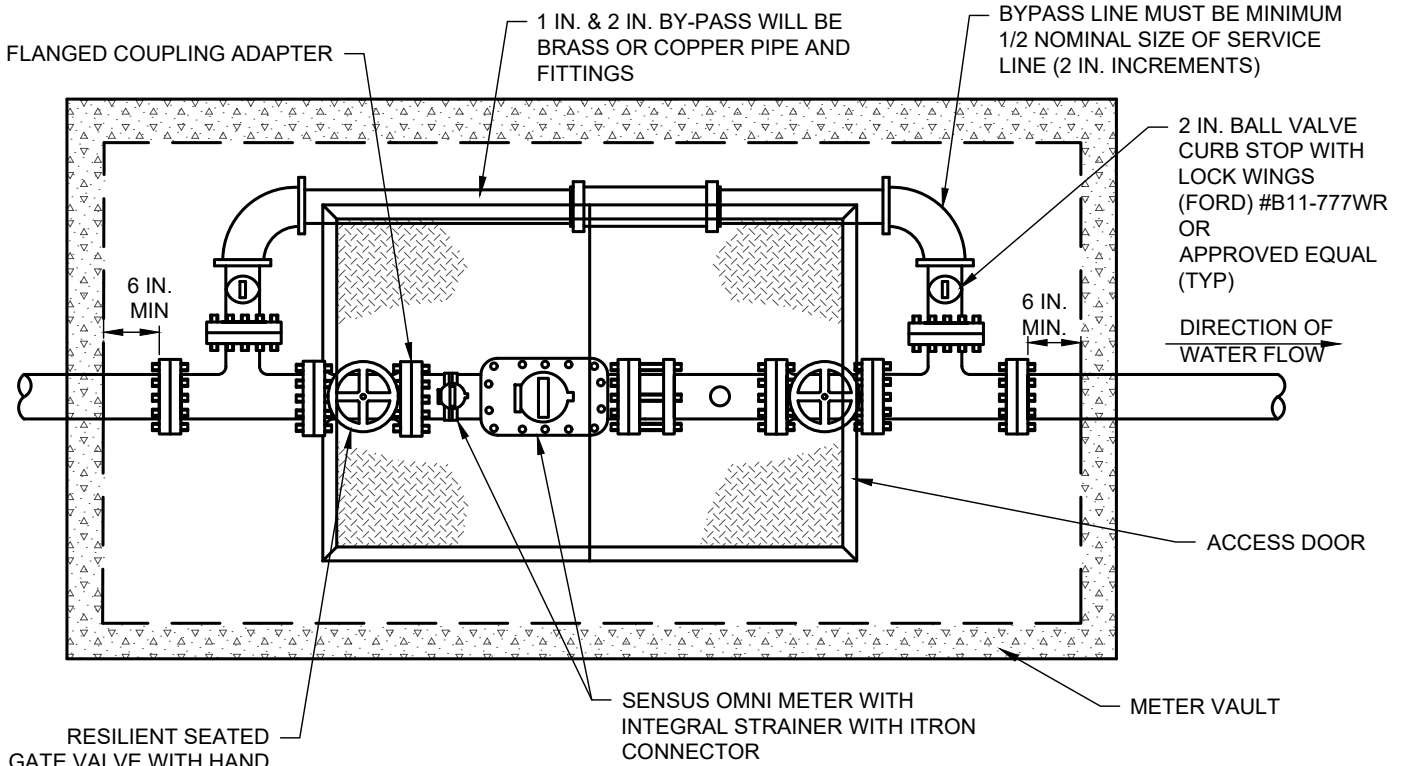
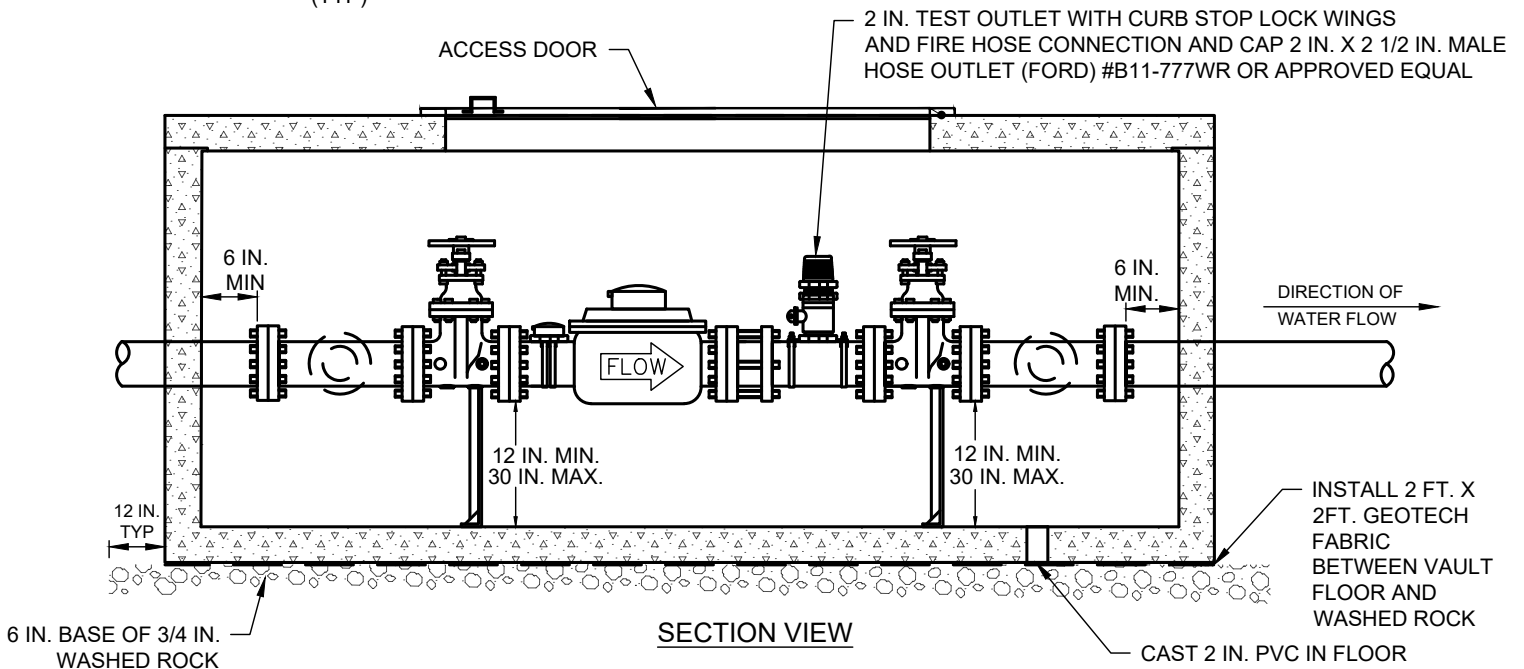


NOTES:

1. ALL EXTERNAL NUTS, BOLTS AND WASHERS SHALL BE STAINLESS STEEL.
2. THREADED JOINTS ON BRASS PIPE BYPASS SHALL BE ACCEPTED.
3. NO SWEATED FITTINGS WILL BE ACCEPTED.
4. 3 IN. AND LARGER METERS TO BE TESTED IN THE FIELD BY CITY OF WACO UTILITIES.
5. LID MUST BE CENTERED ON VAULT.



PLAN VIEW



SECTION VIEW

TYPICAL WATER METER DETAIL FOR 2 IN. AND LARGER

(NO SCALE)

DISCLAIMER: THE USE OF THIS STANDARD IS GOVERNED BY THE "TEXAS ENGINEERING PRACTICE ACT". NO WARRANTY OF ANY KIND IS MADE BY THE CITY OF WACO FOR ANY PURPOSE WHATSOEVER. THE CITY OF WACO ASSUMES NO RESPONSIBILITY FOR THE CONVERSION OF THIS STANDARD TO OTHER FORMATS OR FOR INCORRECT RESULTS OR DAMAGES RESULTING FROM ITS USE.



**ENGINEERING
DIVISION**



REVISIONS			
NO.	COMMENTS	BY	DATE
1	REMOVE REF TO STD DETAIL	MZ	01/25/2023
##	DESCRIPTION	FL	MM/DD/YYYY

DATE
8/25/2021

W-20