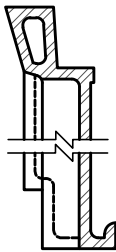


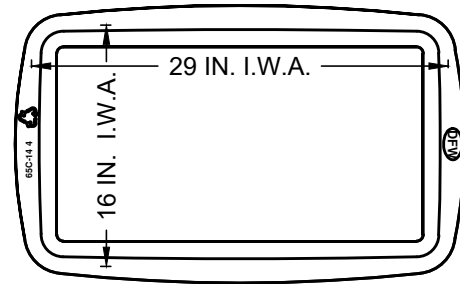
LID

LID KEY	
AF	ANTI-FLOAT MATERIAL
1	BLACK COLOR
T	TOUCH READ HOLE
SMALL	BADGER/ITRON HOLE

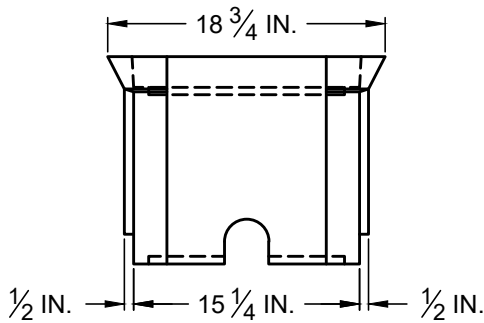
Ø 3 1/4 IN. X 3/8 IN. DEEP RECESS FOR AMR
PAD W/ Ø 1 7/8 IN. HOLE FOR ENDPOINT



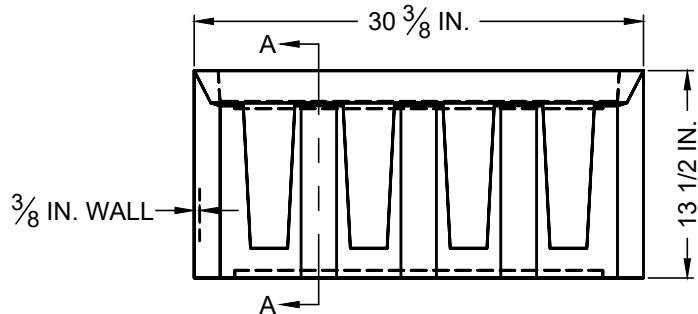
**RIB DETAIL
SECTION A-A**



BOX FRONT VIEW

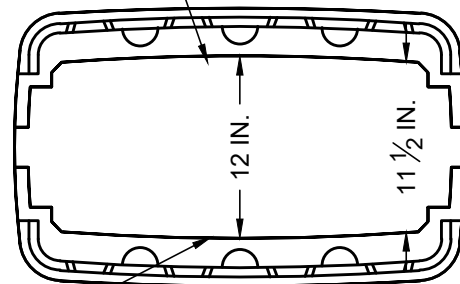


BOX SIDE VIEW



BOX FRONT VIEW

SIDES ARE BOWED OUT 1/2 IN.



BOTTOM FLANGE
IS 2 1/4 IN. WIDE

BOX BOTTOM VIEW

NOTES:

1. FOR USE IN GREEN SPACE ONLY.
2. REFERENCE DFW PLASTICS, INC. DETAIL "DFW65C-14-AF1T SMALL".
3. DIMENSIONS ARE ±1/8 IN. UNLESS NOTED OTHERWISE.
4. LID MATERIAL IS HDPE.
5. BODY MATERIAL IS LLDPE.
6. WALL THICKNESS IS 3/8 IN. MINIMUM
7. I.W.A. = INSIDE WORK AREA

POLY WATER METER BOX AND LID FOR 1-1/2 IN. METER (DFW65C)

(NO SCALE)

DISCLAIMER: THE USE OF THIS STANDARD IS GOVERNED BY THE "TEXAS ENGINEERING PRACTICE ACT". NO WARRANTY OF ANY KIND IS MADE BY THE CITY OF WACO FOR ANY PURPOSE WHATSOEVER. THE CITY OF WACO ASSUMES NO RESPONSIBILITY FOR THE CONVERSION OF THIS STANDARD TO OTHER FORMATS OR FOR INCORRECT RESULTS OR DAMAGES RESULTING FROM ITS USE.



**ENGINEERING
DIVISION**



REVISIONS			
NO.	COMMENTS	BY	DATE
##	DESCRIPTION	FL	MO/DY/YEAR

DATE
8/25/2021

W-15