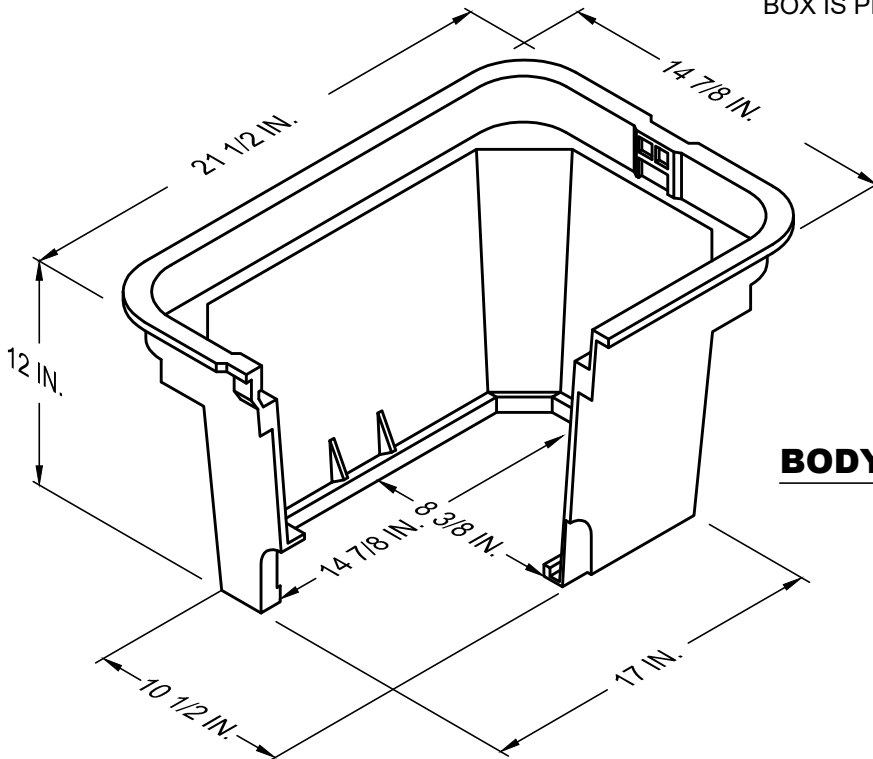
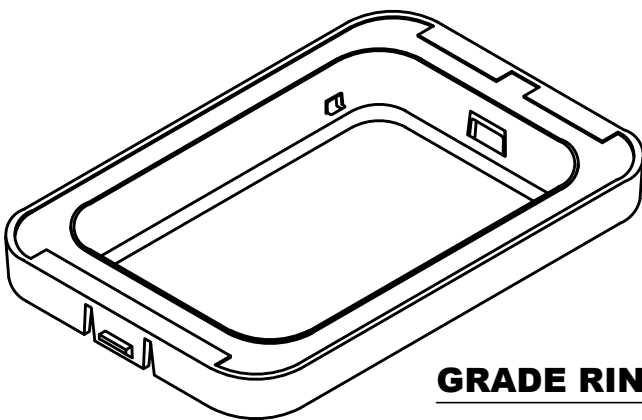


COVER

Ø 3 1/4 IN. X 3/8 IN. DEEP RECESS FOR AMR PAD W/ Ø 1 7/8 IN. HOLE FOR ENDPOINT DRILLED ON SITE BY CITY OF WACO STAFF AFTER BOX IS PLACED.



BODY



GRADE RING

NOTES:

1. FOR USE IN GREEN SPACE ONLY.
2. REFERENCE OLDCASTLE INFRASTRUCTURE CARSON 1017-12
3. FLUSH COVER 10174001. MATERIAL IS HDPE. COLOR IS BLACK.
4. 12 INCH BODY 10172001. MATERIAL IS HDPE. COLOR IS BLACK.
5. FOR USE IN NON-VEHICULAR TRAFFIC SITUATIONS ONLY.

WATER METER BOX UNIT FOR 3/4 IN. AND 1 IN. METERS (CARSON 1017)

(NO SCALE)

DISCLAIMER: THE USE OF THIS STANDARD IS GOVERNED BY THE "TEXAS ENGINEERING PRACTICE ACT". NO WARRANTY OF ANY KIND IS MADE BY THE CITY OF WACO FOR ANY PURPOSE WHATSOEVER. THE CITY OF WACO ASSUMES NO RESPONSIBILITY FOR THE CONVERSION OF THIS STANDARD TO OTHER FORMATS OR FOR INCORRECT RESULTS OR DAMAGES RESULTING FROM ITS USE.



**ENGINEERING
DIVISION**



REVISIONS			
NO.	COMMENTS	BY	DATE
##	DESCRIPTION	FL	MO/DY/YEAR

DATE
8/25/2021

W-14