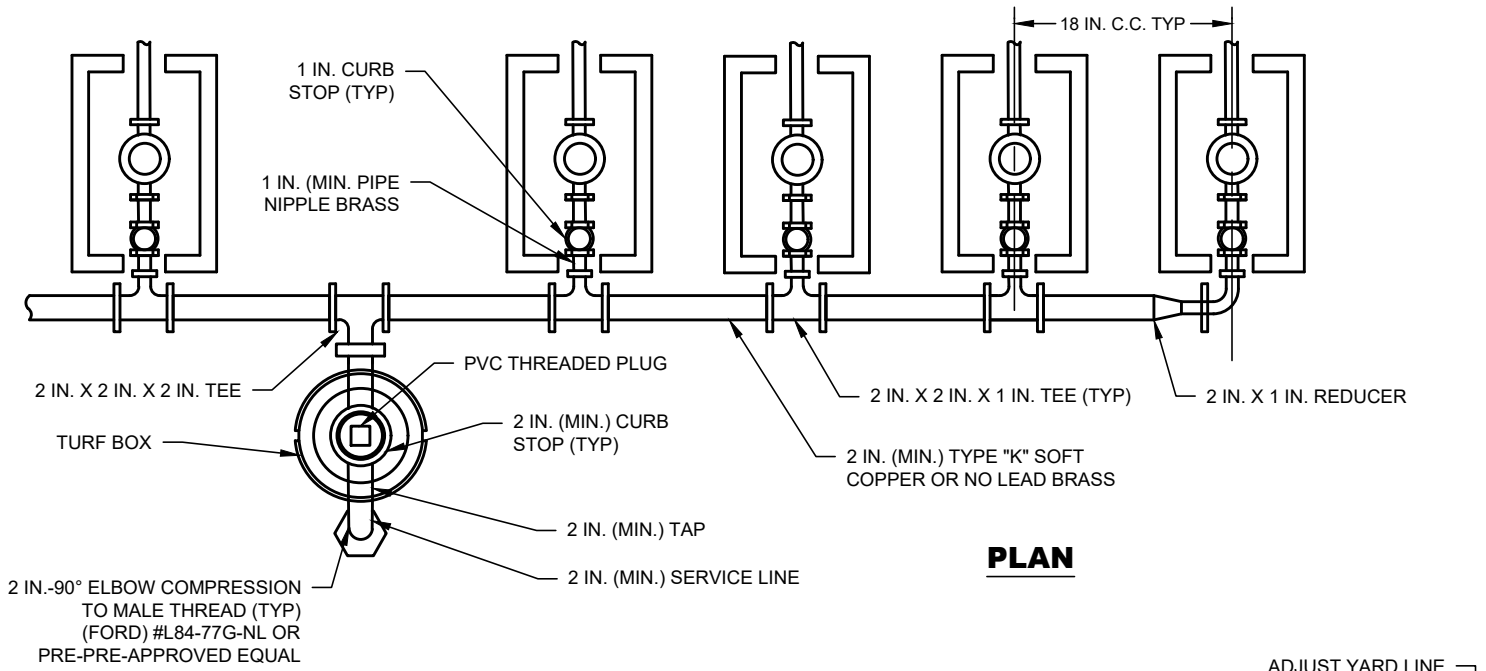
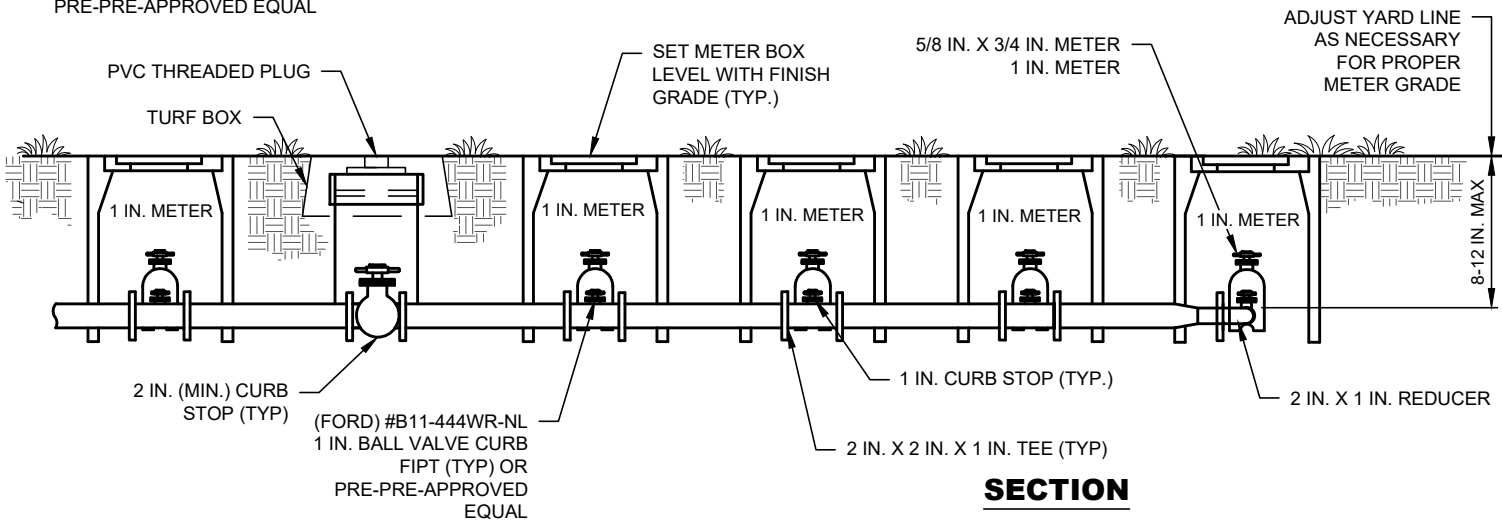


**NOTES:**

- STANDARD METER BOX FOR 3/4 IN. AND 1 IN. METERS IS A CARSON 1017 12 IN. BOX WITH SOLID POLYMER LID OR PRE-APPROVED EQUAL.
- THE STANDARD METER BOX FOR 1-1/2 IN. METERS IS AN OLDCASTLE CHRISTY B65 SERIES METER BOX WITH DFW65C POLYMER LID WITH AMI HOLE OR PRE-APPROVED EQUAL.
- METERS 2 IN. AND LARGER SHALL BE INSTALLED IN A CONCRETE VAULT.
- SERVICE LINES SHALL BE ONE CONTINUOUS PIECE OF PIPE. JOINTS ARE ONLY ALLOWED AT THE CORPORATION STOP AND THE CURB STOP.
- SWEATED, GALVANIZED, OR PVC JOINTS SHALL NOT BE ACCEPTED. NON-LEADED BRASS, COPPER TUBING WITH THREADED OR COMPRESSION COUPLINGS, OR POLY PIPE WITH STAINLESS STEEL INSERTS WILL BE ACCEPTED.
- THE METER IS TO BE LOCATED IN A NON-TRAFFIC GREEN SPACE IN THE RIGHT OF WAY. ALL OTHER LOCATIONS MUST BE APPROVED BY THE CITY ENGINEER. WITH PRIOR APPROVAL FROM THE CITY, A METER MAY BE LOCATED IN AN AREA EXPOSED TO TRAFFIC. IN THIS CASE THE STANDARD BOX FOR METERS OF THESE SIZES IS AN OLDCASTLE CHRISTY N30 SERIES METER BOX WITH DFW1324C POLYMER LID WITH AMI HOLE OR PRE-APPROVED EQUAL.
- ALL 1-1/2 IN. AND LARGER METERS SHALL BE SENSUS OMNI METERS WITH ITRON CONNECTORS.
- CITY'S RESPONSIBILITY FOR LEAK REPAIR ENDS AT CONNECTION ON DOWNSTREAM SIDE OF THE METER UP TO AND INCLUDING THE METER BRASS.



**PLAN**



**SECTION**

**TYPICAL MANIFOLD WATER METER SERVICE CONNECTION**  
(NO SCALE)

DISCLAIMER: THE USE OF THIS STANDARD IS GOVERNED BY THE "TEXAS ENGINEERING PRACTICE ACT". NO WARRANTY OF ANY KIND IS MADE BY THE CITY OF WACO FOR ANY PURPOSE WHATSOEVER. THE CITY OF WACO ASSUMES NO RESPONSIBILITY FOR THE CONVERSION OF THIS STANDARD TO OTHER FORMATS OR FOR INCORRECT RESULTS OR DAMAGES RESULTING FROM ITS USE.



**ENGINEERING  
DIVISION**



REVISIONS			
NO.	COMMENTS	BY	DATE
##	DESCRIPTION	FL	MO/DY/YEAR

DATE  
8/25/2021

**W-13**