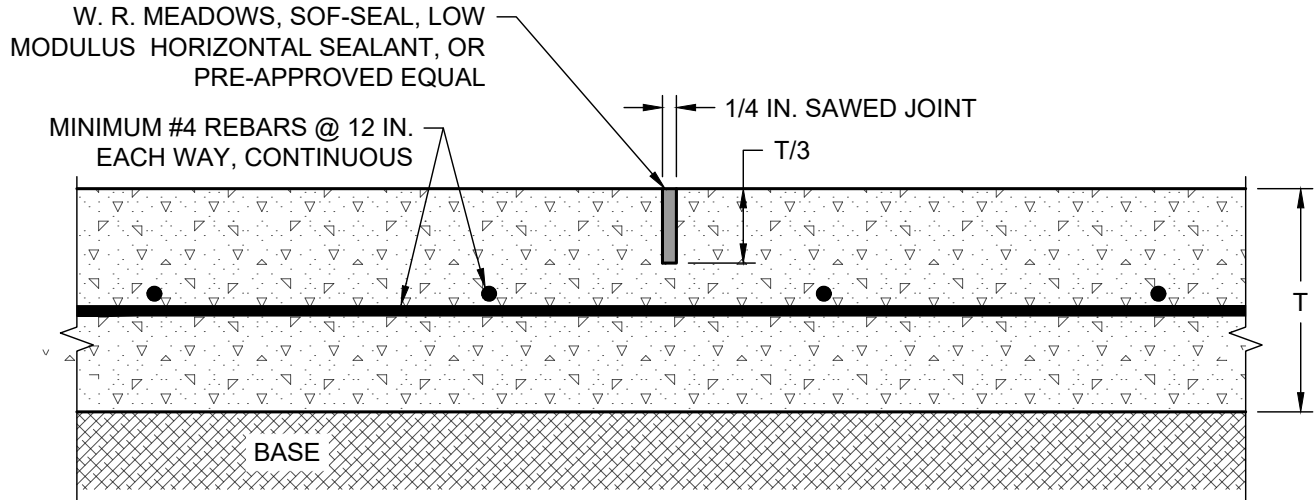


NOTES:

1. CONCRETE REINFORCEMENT (NOT SHOWN FOR CLARITY) SHALL STOP 3 IN. CLEAR OF JOINT FACES.
2. SMOOTH DOWELS SHALL BE LEVEL AND PERPENDICULAR TO THE FACE.

CONCRETE EXPANSION JOINT DETAIL
(SPACED AS PER PLANS)
(NO SCALE)



NOTES:

1. SAW JOINTS AS SOON AS IT IS POSSIBLE TO DO SO WITHOUT DAMAGING THE PAVEMENT AND LESS THAN 24 HOURS AFTER CONCRETE PLACEMENT. THE EXACT TIME IS SUBJECT TO APPROVAL BY THE CITY ENGINEER.

CONCRETE STREET SAWED CONTRACTION JOINT DETAIL
(SPACED AS PER PLANS)
(NO SCALE)



**ENGINEERING
DIVISION**



REVISIONS			
NO.	COMMENTS	BY	DATE
##	DESCRIPTION	FL	MM/DD/YYYY

DATE
11/29/2021

ST-9