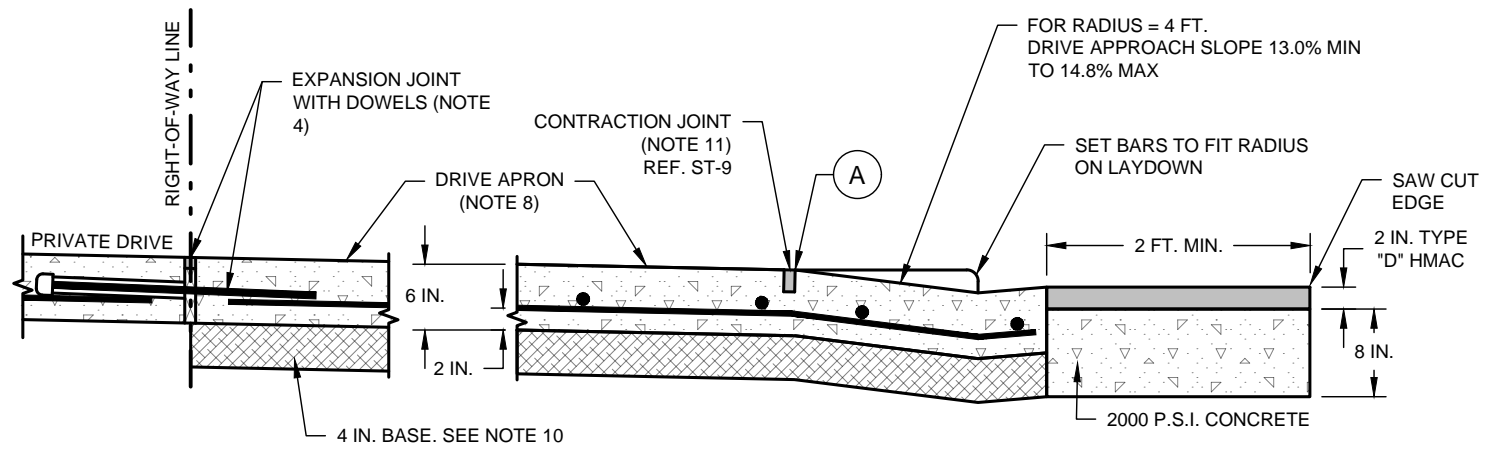


PLAN VIEW



(A) ELEVATION 1 IN. MIN. TO 2 IN. MAX ABOVE TOP OF "ADJACENT CURB FOR RADIUS = 4 FT.

SECTION A - NEW APPROACH ON EXISTING ASPHALT STREET
(NO SCALE)

STANDARD RESIDENTIAL DRIVE APPROACH
(NO SCALE)

SEE ST-23B FOR ADDITIONAL DETAILS

DISCLAIMER: THE USE OF THIS STANDARD IS GOVERNED BY THE "TEXAS ENGINEERING PRACTICE ACT". NO WARRANTY OF ANY KIND IS MADE BY THE CITY OF WACO FOR ANY PURPOSE WHATSOEVER. THE CITY OF WACO ASSUMES NO RESPONSIBILITY FOR THE CONVERSION OF THIS STANDARD TO OTHER FORMATS OR FOR INCORRECT RESULTS OR DAMAGES RESULTING FROM ITS USE.



ENGINEERING DIVISION



REVISIONS			
NO.	COMMENTS	BY	DATE
2	ADD NOTES	MZ	09/12/2022
1	ADD NOTE	MZ	01/31/2022
##	DESCRIPTION	FL	MM/DD/YYYY

DATE
01/31/2022

ST-23A