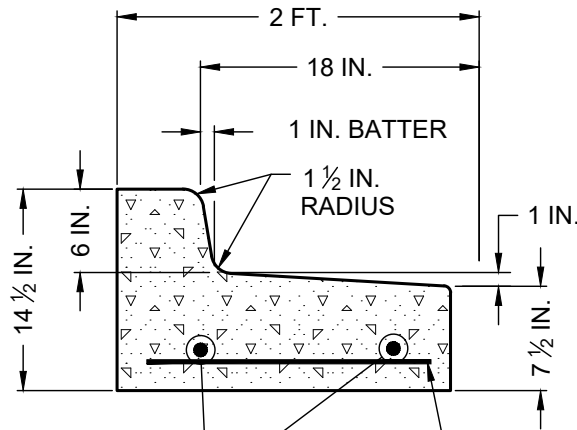


2-#4 REBAR CONTINUOUS
(EXCEPT AT EXPANSION JOINTS)

#4 REBAR @ 18 IN. OC

DIRECT FLOW



2-#4 REBAR CONTINUOUS
(EXCEPT AT EXPANSION JOINTS)

#4 REBAR @ 18 IN. OC

INDIRECT FLOW

STANDARD CURB AND GUTTER DETAILS

(NO SCALE)

DISCLAIMER: THE USE OF THIS STANDARD IS GOVERNED BY THE "TEXAS ENGINEERING PRACTICE ACT". NO WARRANTY OF ANY KIND IS MADE BY THE CITY OF WACO FOR ANY PURPOSE WHATSOEVER. THE CITY OF WACO ASSUMES NO RESPONSIBILITY FOR THE CONVERSION OF THIS STANDARD TO OTHER FORMATS OR FOR INCORRECT RESULTS OR DAMAGES RESULTING FROM ITS USE.



ENGINEERING
DIVISION



REVISIONS			
NO.	COMMENTS	BY	DATE
##	DESCRIPTION	FL	MM/DD/YYYY

DATE
11/29/2021

ST-15