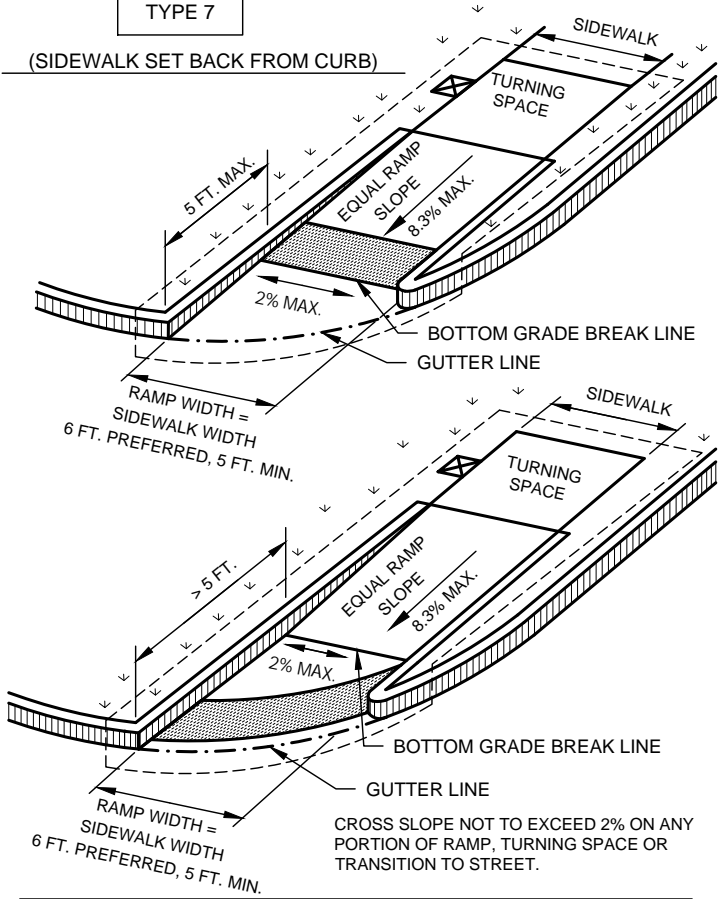


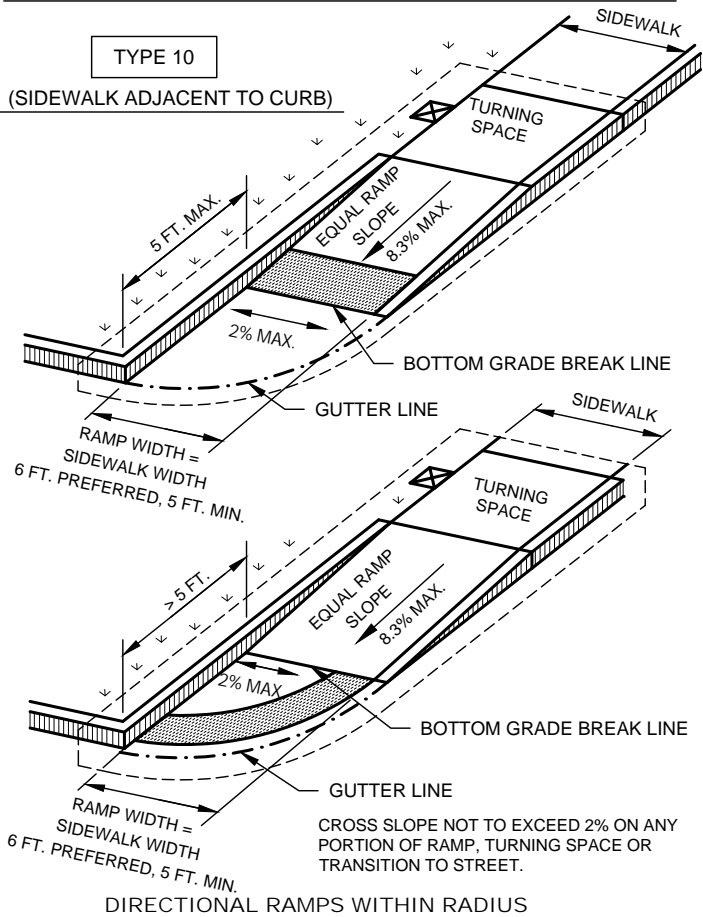
TYPE 7

(SIDEWALK SET BACK FROM CURB)



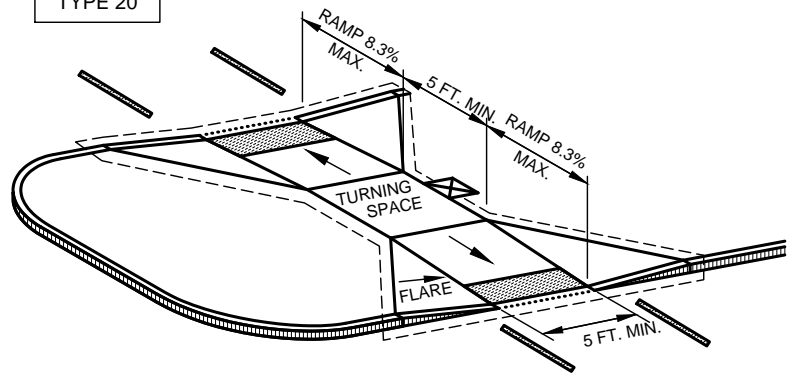
TYPE 10

(SIDEWALK ADJACENT TO CURB)



DIRECTIONAL RAMPS WITHIN RADIUS

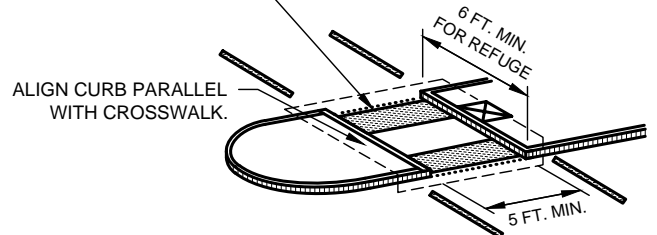
TYPE 20



CURB RAMPS AT MEDIAN ISLANDS

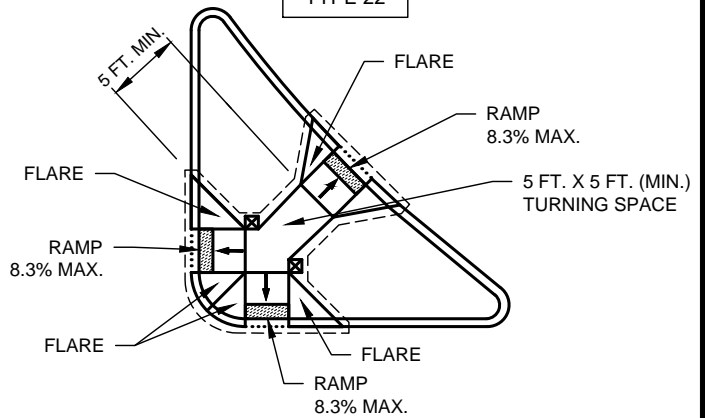
TYPE 21

INSTALL DETECTABLE WARNING SURFACE AT EACH END OF THE CUT-THROUGH RAMP WITH A MINIMUM 2 FT. USUAL SIDEWALK SURFACE BETWEEN. IF MEDIAN IS LESS THAN 6 FT. WIDE, ELIMINATE DETECTABLE WARNING SURFACES.



NOTE: CURB DETAILS ARE SHOWN ELSEWHERE IN THE PLANS.

TYPE 22



COMBINATION ISLAND RAMPS

CURB RAMPS: TYPES 7, 10, 20, 21 AND 22

(NO SCALE)

SEE SHEETS SW-5 AND SW-6 FOR GENERAL NOTES AND LEGEND

DISCLAIMER: THE USE OF THIS STANDARD IS GOVERNED BY THE "TEXAS ENGINEERING PRACTICE ACT". NO WARRANTY OF ANY KIND IS MADE BY THE CITY OF WACO FOR ANY PURPOSE WHATSOEVER. THE CITY OF WACO ASSUMES NO RESPONSIBILITY FOR THE CONVERSION OF THIS STANDARD TO OTHER FORMATS OR FOR INCORRECT RESULTS OR DAMAGES RESULTING FROM ITS USE.



ENGINEERING DIVISION



REVISIONS			
NO.	COMMENTS	BY	DATE
##	DESCRIPTION	FL	MM/DD/YYYY

DATE
01/10/2022

SW-8