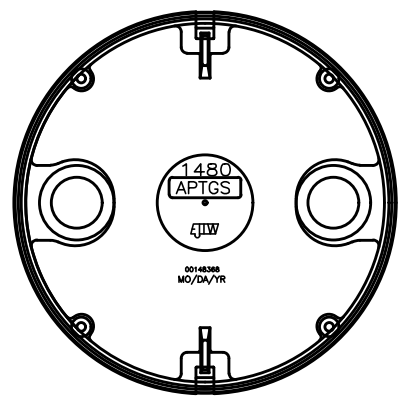
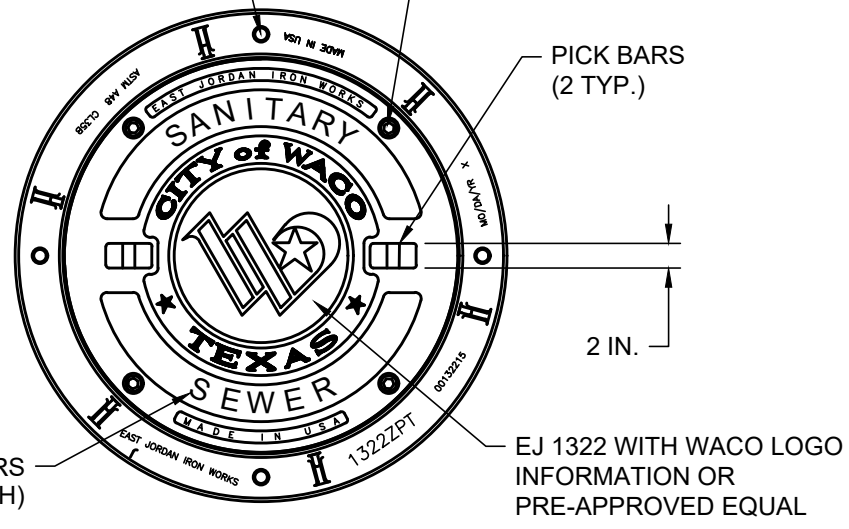
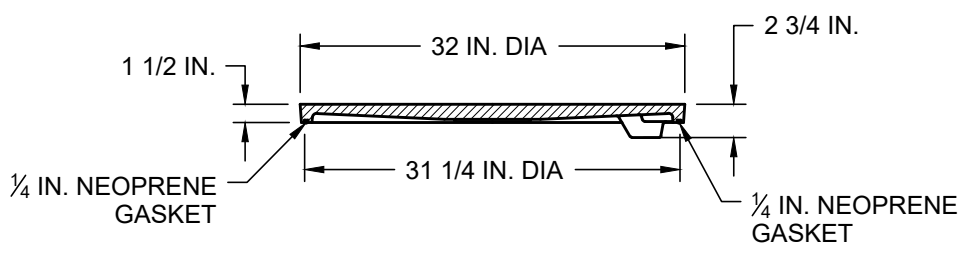


(4) 1 IN. DIA. BOLT HOLES EQUALLY SPACED 90° APART ON A 36 IN. DIA. BOLT CIRCLE

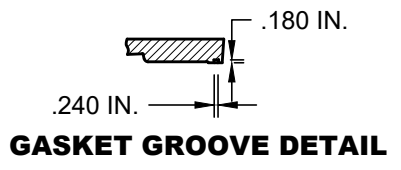
(4) ½ IN. - 13 X 2 IN. LG. HEX HEAD S.S. BOLTS WITH WASHERS ON A 29 ⅞ IN. B.C.



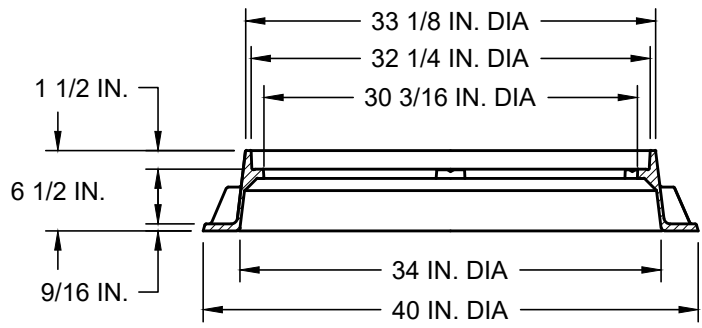
COVER BACK



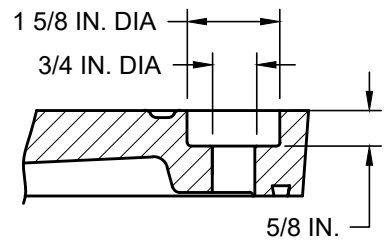
(OUTSIDE OF GROOVE)



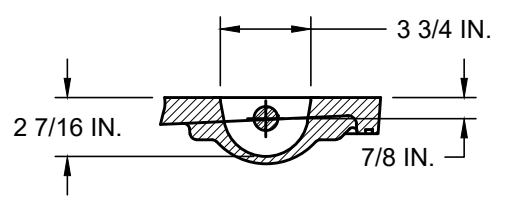
GASKET GROOVE DETAIL



SECTION VIEW



BOLT HOLE DETAIL



BOLT HOLE DETAIL

WATERTIGHT/AIRTIGHT SANITARY SEWER MANHOLE COVER AND FRAME
(NO SCALE)

DISCLAIMER: THE USE OF THIS STANDARD IS GOVERNED BY THE "TEXAS ENGINEERING PRACTICE ACT". NO WARRANTY OF ANY KIND IS MADE BY THE CITY OF WACO FOR ANY PURPOSE WHATSOEVER. THE CITY OF WACO ASSUMES NO RESPONSIBILITY FOR THE CONVERSION OF THIS STANDARD TO OTHER FORMATS OR FOR INCORRECT RESULTS OR DAMAGES RESULTING FROM ITS USE.



ENGINEERING DIVISION



REVISIONS			
NO.	COMMENTS	BY	DATE
##	DESCRIPTION	FL	MO/DY/YEAR

DATE
8/25/2021

S-8