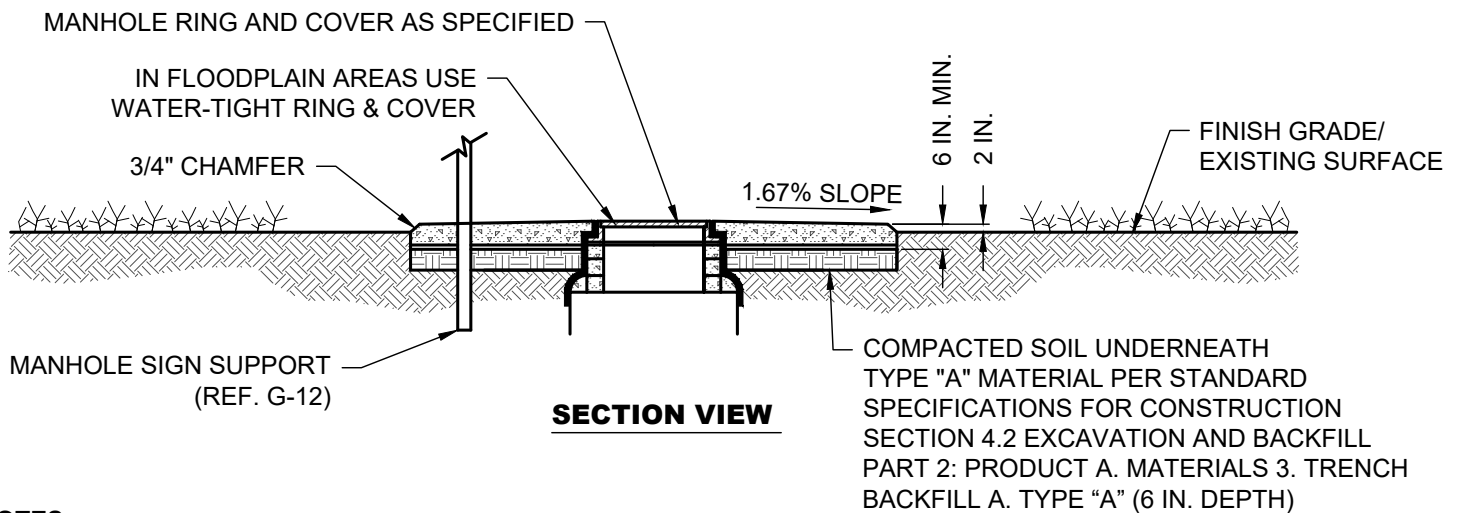


PLAN VIEW



SECTION VIEW

NOTES:

1. THE CITY OF WACO REQUIRES MANHOLE SIGNS MOUNTED ON CONTRACTOR PROVIDED SIGN POSTS FOR UNDEVELOPED AREAS. THE CONTRACTOR WILL COORDINATE WITH WATER UTILITY SERVICES DEPARTMENT FOR SIGNS AND INSTALL THESE SIGNS. SEE STANDARD DETAILS G-12, G-13 AND G-16.
2. CONCRETE SLAB SHALL BE 10 FT. X 10 FT. X 6 IN. DEPTH WITH #4 BARS @ 12 IN. OCEW WITH CORNER BARS AND 4 - # 4 BARS BY 3 FT. PLACED ON DIAGONAL AROUND MANHOLE LID. SLOPE SLAB AWAY FROM MANHOLE AT 1.67% ALL SIDES.
3. THE BACKFILL UNDER THE CONCRETE SLAB SHALL BE 6 IN. TYPE "A" MATERIAL PER STANDARD SPECIFICATIONS FOR CONSTRUCTION TO SECTION 4.2 EXCAVATION AND BACKFILL PART 2: PRODUCT A. MATERIALS 3. TRENCH BACKFILL A. TYPE "A" COMPACTED TO 95% OF THE MAXIMUM DRY DENSITY (TEX-113-E).
4. CONTRACTOR SHALL PROVIDE MANHOLE VENTING AT THE MAXIMUM SPACING OF 1,500 FEET IN UNDEVELOPED AREAS. SEE STANDARD DETAIL S-16

MANHOLE IN UNDEVELOPED AREAS

(NO SCALE)

DISCLAIMER: THE USE OF THIS STANDARD IS GOVERNED BY THE "TEXAS ENGINEERING PRACTICE ACT". NO WARRANTY OF ANY KIND IS MADE BY THE CITY OF WACO FOR ANY PURPOSE WHATSOEVER. THE CITY OF WACO ASSUMES NO RESPONSIBILITY FOR THE CONVERSION OF THIS STANDARD TO OTHER FORMATS OR FOR INCORRECT RESULTS OR DAMAGES RESULTING FROM ITS USE.



**ENGINEERING
DIVISION**



REVISIONS			
NO.	COMMENTS	BY	DATE
2	CHANGE MIN. DEPTH OF CONC. SLAB	MZ	01/25/2023
1	REMOVE MANHOLE PRIME NOTE	MZ	10/24/2022
##	DESCRIPTION	FL	MO/DY/YEAR

DATE
8/25/2021

S-13