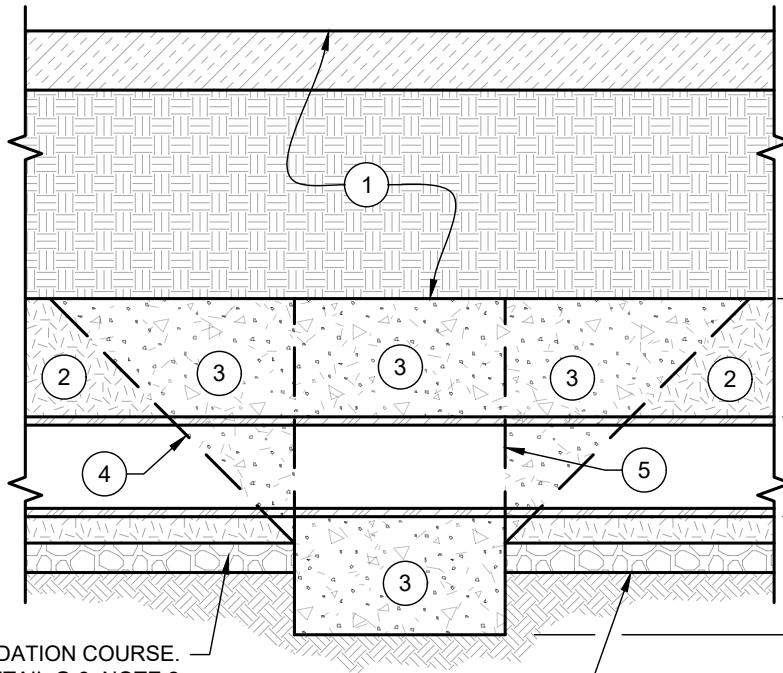


**PLAN VIEW**

**NOTES:**

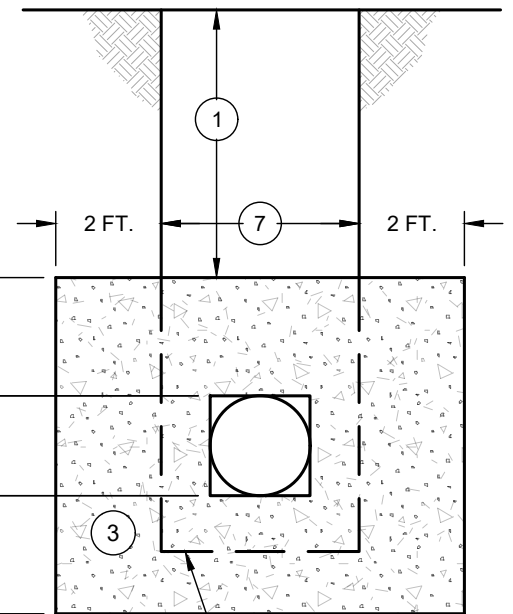
- ① BACKFILL & SURFACE REPLACEMENT PER STANDARD DETAILS G-9 AND G-10 AND STANDARD SPECIFICATIONS FOR CONSTRUCTION.
- ② TYPE A MATERIAL PER DETAIL G-10, NOTE 4
- ③ CONTROLLED LOW STRENGTH MATERIAL (CLSM)
- ④ ANGLE OF REPOSE
- ⑤ FORMS (OPTIONAL)
- ⑥ PLACE WATERSTOP BETWEEN PIPE JOINTS. SPACING TO BE SHOWN ON PLANS.
- ⑦ TRENCH WIDTH
- ⑧ PIPE O.D. OR OUTSIDE BOX CULVERT DIMENSION



FOUNDATION COURSE.  
DETAIL G-8, NOTE 2

BOTTOM OF TRENCH  
SEE NOTE 6

**SECTION A-A**



BOTTOM OF TRENCH  
SEE NOTE 6

**SECTION B-B**

**TRENCH WATERSTOP DETAIL**

(NO SCALE)

DISCLAIMER: THE USE OF THIS STANDARD IS GOVERNED BY THE "TEXAS ENGINEERING PRACTICE ACT". NO WARRANTY OF ANY KIND IS MADE BY THE CITY OF WACO FOR ANY PURPOSE WHATSOEVER. THE CITY OF WACO ASSUMES NO RESPONSIBILITY FOR THE CONVERSION OF THIS STANDARD TO OTHER FORMATS OR FOR INCORRECT RESULTS OR DAMAGES RESULTING FROM ITS USE.



**ENGINEERING  
DIVISION**



REVISIONS			
NO.	COMMENTS	BY	DATE
##	DESCRIPTION	FL	MO/DY/YEAR

DATE  
05/02/2022

**G-6**